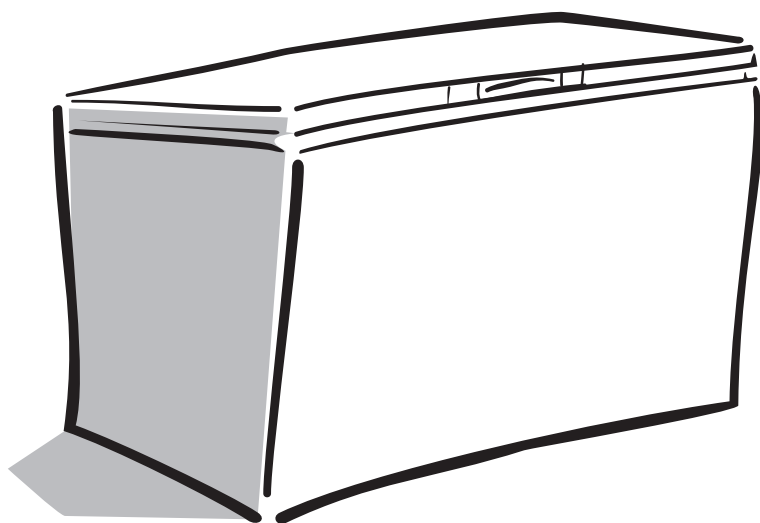




# Owner's Manual



## Deepfreeze<sup>®</sup> Chest Freezers

Keep instructions for future reference.  
Be sure manual stays with freezer.

### Contents

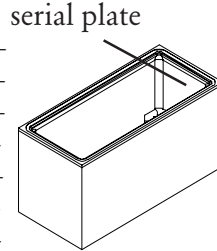
Important Safety Information .....	3
Proper Disposal .....	3
Using the Freezer Control .....	4
Custom Features .....	5
Care and Cleaning .....	6
User Maintenance .....	7
Defrosting .....	7
Freezing Guide .....	8
Troubleshooting .....	11
Amana Warranty .....	12



# Thank you for buying an Amana Freezer!

Please take the time to complete the registration card and return promptly. If registration card is missing, call Amana Consumer Affairs Department. When contacting Amana, provide product information from serial plate found on the inside right wall of the chest freezer:

Model Number \_\_\_\_\_  
Manufacturing (P) Number \_\_\_\_\_  
Serial Number (S/N) \_\_\_\_\_  
Purchase Date \_\_\_\_\_  
Dealer Name \_\_\_\_\_  
Dealer Address \_\_\_\_\_  
Dealer Phone \_\_\_\_\_



**Keep this manual and your sales receipt together in a safe place** for future reference or if warranty service is required.

For answers to questions or to locate an authorized servicer, call **1-800-NAT-LSVC (1-800-628-5782) inside USA or 319-622-5511 outside USA. Warranty service must be performed by an authorized servicer.** Amana Appliances also recommends contacting an authorized servicer if service is required after warranty expires.

## Asure™ Extended Service Plan

Amana Appliances offers long-term service protection for this new freezer. Asure™ Extended Service Plan, covering functional parts, labor, and travel charges, is specially designed to supplement a strong warranty. Call 1-800-528-2682 for information.

## Parts and Accessories

Purchase replacement parts and additional accessories by phone. To order accessories for your Amana product, call 1-800-843-0304 inside USA or 319-622-5511 outside USA or visit our website at [www.amana.com](http://www.amana.com)

For more information on this and other Amana products, visit our Web site  
**[www.amana.com](http://www.amana.com)**  
or  
call Consumer Affairs Department at  
**1-800-843-0304**

## Save Time and Money

If something seems unusual, please check “Troubleshooting” section, which is designed to help you solve problems before calling service. If you have a question, call us at **(800) 843-0304** or write us at:

Consumer Affairs Department  
Amana Appliances  
2800 - 220th Trail  
Amana, Iowa 52204

**Remember to include model number of your appliance and your phone number.**

## What You Need to Know about Safety Instructions

Warning and Important Safety Instructions appearing in this manual are not meant to cover all possible conditions and situations that may occur. Common sense, caution, and care must be exercised when installing, maintaining, or operating freezer.

Always contact your dealer, distributor, service agent, or manufacturer about problems or conditions you do not understand.

## Recognize Safety Symbols, Words, Labels



**DANGER**—Immediate hazards which **WILL** result in severe personal injury or death.



**WARNING**—Hazards or unsafe practices which **COULD** result in severe personal injury or death.



**CAUTION**—Hazards or unsafe practices which **COULD** result in minor personal injury or product or property damage.

# IMPORTANT SAFETY INFORMATION

## **WARNING**

To avoid risk of electrical shock, personal injury or death this unit must be properly grounded.

**Electrical Grounding Instructions**—this freezer is equipped with a three-prong (grounding) plug for protection against possible shock hazards. If a two-prong wall receptacle is encountered, contact a qualified electrician and have the two-prong wall receptacle replaced with a properly grounded three-prong wall receptacle in accordance with the National Electric Code.

Freezers are designed to operate on a separate 103 to 126 VAC, 15 Amp., 60 Hz.

**Do not** under any circumstances cut or remove the round grounding prong from the plug. Freezer must be grounded at all times. Do not remove warning tag from power cord.

- **Do not use a two-prong adapter.**
- **Do not use an extension cord.**

## **Proper Disposal of Your Freezer**

**Important:** Child entrapment and suffocation are not problems of the past. Junked or abandoned freezers are still dangerous—even if they sit for “just a few days.” If you are getting rid of your old freezer, please follow the instructions below to help prevent accidents.

### **Before you throw away your old refrigerator or freezer:**

- Take off the lid.
- Leave the shelves in place so that children may not easily climb inside.

## **WARNING**

To avoid risk of electrical shock, personal injury, or death, make sure your freezer has been properly grounded and always disconnect it from main power supply before servicing.

## **General Appliance Safety**

1. **Proper Installation**—Be sure your appliance is properly installed and grounded by a qualified technician.
2. **Do Not Leave Children Alone**—Children should not be alone or unattended in the area where the appliance is in use. They should never be allowed to sit or stand on any part of the appliance.
3. **Wear Proper Apparel**—Loose fitting or hanging garments should never be worn while using appliance.
4. **User Servicing**—Do not repair or replace any part of the appliance unless specifically recommended in the manual. All other servicing should be referred to a qualified technician.

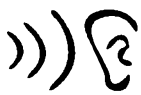
# SAVE THESE INSTRUCTIONS

# Using the Freezer Controls

## ? If These Features are Different from Yours

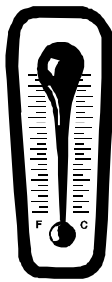
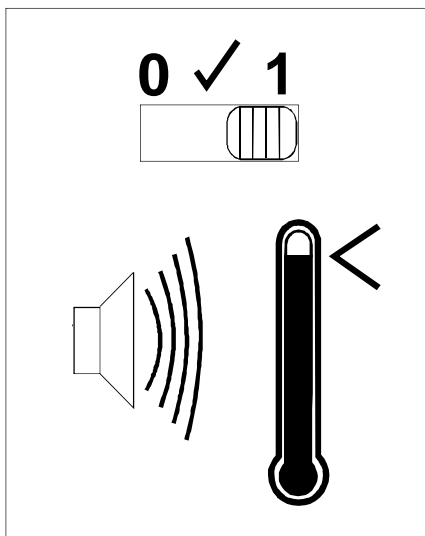
These examples are intended to show the variety of features that are available in the product line. If your freezer does not have all the options that are shown, it is not a mistake. The information provided applies to all of the models in the product line.

## Temperature Monitor Alarm



Temperature monitor alarm is located next to the temperature control knob. Alarm is controlled by a three position switch.

- **0** stops alarm from sounding when the freezer is warm. This setting can be used when defrosting or when first plugging in the freezer.
- **✓** sounds the alarm regardless of temperature to verify alarm is functioning and audible. Alarm system should be tested at least once a month.
- **1** turns the temperature monitor on for normal freezer use. Remember to turn switch to 1 after defrosting.



## Temperature Control

The freezer temperature control uses a range of settings from 0 to 7. When set at zero the freezer is OFF—it does not cool or maintain a cool temperature. Setting 1 is the warmest temperature setting and setting 7 is the coldest.

If the freezer is laid on its side during shipping or transport, place the freezer upright and wait 12 hours before plugging it in. This prevents damage to the freezer.

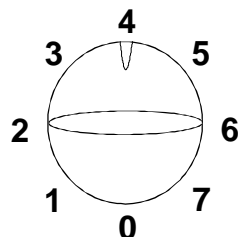
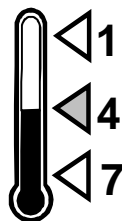
### When plugging in the freezer for the first time:

1. Set freezer temperature setting to 4.
2. Wait 3 to 6 hours.
3. Add food.
4. After 24 hours, adjust control as desired.

### To adjust freezer temperature:

1. Set household thermometer snugly between frozen packages.
  - Thermometer can also be placed in a glass of vegetable oil placed in freezer (vegetable oil will not freeze).
  - Thermometer should be designed for use with freezer.
  - Thermometer should read temperatures ranging from  $-5^{\circ}$  to  $50^{\circ}$ F.
2. Wait 5 to 8 hours.
3. Check temperature.
  - Temperature should read between  $0^{\circ}$  to  $2^{\circ}$  F.
  - If temperature is not in range, adjust control only one number at a time.
  - If temperature needed adjustment, wait an additional 5 to 8 hours and recheck temperature.

## Temperature Control Knob

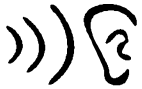


The temperature control knob is located on the outside of the freezer cabinet on the lower right side. To adjust the temperature control, place a flat-bladed screwdriver or coin into slot and turn to the desired temperature.

To conserve energy:

- **Do not** set controls colder than necessary to maintain a temperature range of  $0^{\circ}$  to  $2^{\circ}$ F.
- Operate in normal room temperatures away from heat sources and direct sunlight.
- Keep freezer full.
- Keep door gaskets clean and pliable by following the cleaning instruction in *Care and Cleaning*. Replace gaskets if worn.

# Custom Features



## Temperature Monitor Alarm

Alarm monitors the temperature and signals an audible alarm if freezer rises 10°F above normal temperature for selected setting. Alarm may also sound if:

- Temperature control is turned more than one setting at a time.
- If a large amount of unfrozen food is placed within the freezer at once.



## Lid Lock

The freezer door lock prevents accidental jarring of the lid, which may lead to defrosting and loss of temperature. To use the lid lock:

1. Insert key into lock approximately 1/4".
2. Turn key clockwise to lock freezer and counterclockwise to unlock.



## Power On Light

This light, located on the outside of freezer lid, glows when the freezer is connected to a power source. The light goes off when power is interrupted or when bulb needs replacing. A flickering light indicates a faulty bulb that needs to be replaced. A qualified service technician must replace the power light bulb.



## Divider

The freezer divider helps keep frozen items in place and sorted. The divider works like a bookend, helping to stack and sort frozen items and keep them in place. The divider can be placed where it is most convenient for fast and easy access.



## Baskets

Baskets can be used to organize the freezer by containing small, hard to stack items. Baskets also aid in keeping cooler air in the freezer by allowing quick, easy access to frequently used items. Baskets rest freely on the freezer liner and can be adjusted to the left or right for personal preference.



## Defrost Indicator

The defrost indicator is a small black half globe attached to the upper section of the rear wall inside the freezer. When frost is as thick as the indicator and surrounds it, or covers it so that it cannot be seen, it is time to defrost the freezer.

For instructions on how to defrost the freezer, see the *User Maintenance* section.

## Interior Light

The interior light illuminates freezer interior in poor or dimly lit conditions. The light bulb is a 15-watt appliance bulb.

The light is designed and tested to provide illumination while minimizing heat generation if the lid is accidentally left ajar.

To replace the interior light, see the *User Maintenance* section.



## WARNING

To prevent child entrapment keep key out of reach of children and away from freezer.

## The key won't stay in...

To help protect children and prevent child entrapment, all of Amana's freezer locks have a 'pop out key' function. This means that when the key is inserted into the lock, it must be pushed in and pressure must be maintained as the lock is turned. Once locked or unlocked, the lock will push the key out, preventing the key from being kept in the lock. The key should be kept in a safe place away from children.

## ? If These Features are Different from Yours

These examples are intended to show the variety of features that are available in the product line. If your freezer does not have all the options that are shown, it is not a mistake. The information provided applies to all of the models in the product line.

## Can I get another basket?

If you want more accessories for your freezer, they are as convenient as a phone call away. Contact your local Amana dealer, or call:

(800) 843-0304 inside USA or

(319) 622-5511 outside USA or

visit our website at [www.amana.com](http://www.amana.com)

# Care and Cleaning



## WARNING

To avoid electrical shock, personal injury, or death, disconnect power to freezer before cleaning.



## CAUTION

To avoid personal injury or property damage, read and follow all cleaning product manufacturer's directions.

## Cleaning Solutions

In general, most cleaning can be done with warm, soapy water as needed. To keep your freezer looking like new and operating efficiently, follow these cleaning guidelines:

### DO NOT USE

- Bleach or ammonia
- Harsh or abrasive cleaners
- Concentrated detergents or solvents
- Metal scouring pads
- A dishwasher for baskets or accessories

### DO USE

- Warm, soapy water to remove most dirt
- Four tablespoons of baking soda in one quart of warm water to make a gentle cleaning solution
- Warm water to rinse all surfaces
- A soft clean cloth to dry all surfaces

## Sealing Door Gaskets

Door gaskets get grimy over time, affecting the freezer's seal and performance. To keep the freezer running well and minimize air seepage, clean the gasket at least every three months.

1. Clean gaskets with a mild, warm soapy water.
2. Dry thoroughly with a clean cloth.
3. Apply a light film of petroleum jelly to gasket to keep pliable.
4. Avoid placing petroleum jelly to the plunger switch that controls interior light function.

## It's still stuck...

Sticker residue can get the best of any cleaning product. To remove the adhesive residue from your freezer:

1. Dab a little toothpaste over the adhesive.
2. Rub the toothpaste over the adhesive until it loosens.
3. Rinse the surface with warm, clean water.
4. Dry with soft cloth.

## Odor Removal

Even with the tightest wrapped meats and fish, odors can happen. To remove odors, follow the instructions provided below:

1. Remove all food to another freezer, if possible, or place in a well insulated cooler.
2. **Disconnect power to the freezer.**
3. Wash all interior surfaces including lid, floor and walls.
4. Clean corners, crevices and grooves thoroughly.
5. Wash all accessories and baskets by hand.
6. Dry thoroughly with soft, clean cloth.
7. **Reconnect power to the freezer.**
8. Return food to the freezer. Verify that all the food is wrapped tightly or in sealed containers to prevent further odor problems.
9. After 24 hours, check freezer to verify odor was eliminated.

If odor is still present:

1. Remove all food to another freezer.
2. **Disconnect power to freezer.**
3. Pack freezer with crumpled sheets of black and white newspaper.
4. Place plain charcoal briquettes on newspaper throughout freezer.
5. Close the freezer lid and let stand 24 to 48 hours.
6. Remove charcoal briquettes and newspapers. Clean according to directions provided above.
7. **Reconnect power to freezer.**
8. Replace food in freezer in sealed, airtight containers to minimize odor contamination.
9. Placing a cotton swab with vanilla or an open box of baking soda in the freezer may also help prevent odors from returning.

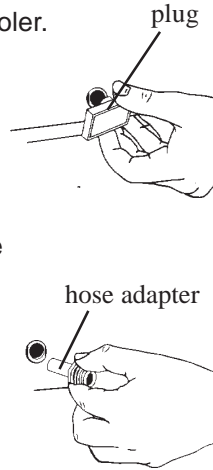


# User Maintenance

## ❄️ ❄️ ❄️ Defrosting

Chest freezers need to be defrosted when frost has accumulated to approximately 1/4" thick. The upper section of the freezer will generally have more frost accumulation than the lower. Frost **should not** be scraped or pulled out of the freezer as damage may result.

1. Transfer food to another freezer or a well insulated cooler.
2. **Disconnect power to freezer.**
3. Some models have drain plugs to aid in defrosting. Pull gently to remove the plugs.
  - Interior drain plug is in lower left corner.
  - Exterior drain plug is on the lower front left corner.
4. Place a shallow pan beneath the drain opening to catch defrost water or attach a garden hose to outside drain hole by using the hose fitting adapter.
5. To speed defrosting, pans of hot water may be placed in the freezer.
6. Once defrosted, clean the freezer according to guidelines in *Care and Cleaning*.
7. Remove hose fitting adapter if used. Replace drain plug.
  - Drain plug must be properly installed for efficient operation.
8. **Restore power to the freezer.**



### ⚠️ WARNING

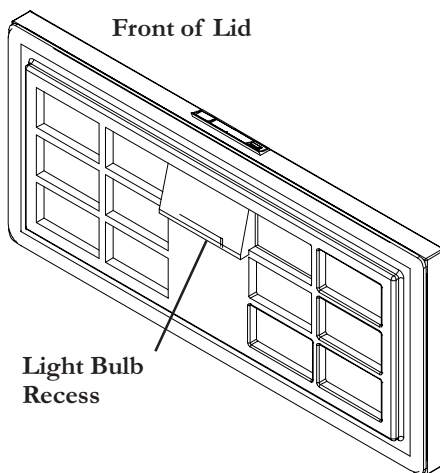
To avoid electrical shock, severe personal injury or death, disconnect power to freezer before defrosting.

### ⚠️ CAUTION

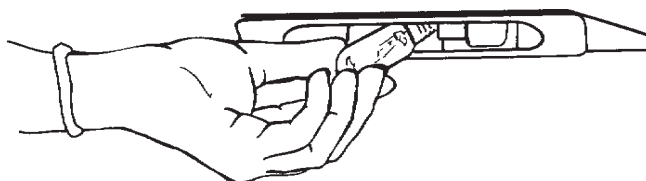
To avoid property damage, do not use sharp or pointed instruments to scrape frost from shelves or interior surfaces.

## Changing the Light Bulb

The interior light bulb is located in the rear recess in the center of the freezer lid. The light bulb can be replaced with a 15-watt appliance bulb. To minimize the risk of electric shock or injury, freezer must not be operated without a light bulb installed.



1. **Disconnect electrical supply.**
2. Open freezer lid and look behind recess for the appliance bulb.
3. While wearing protective gloves, reach behind labeled recess and feel for appliance light bulb.
4. Turn light bulb counterclockwise to remove.
5. Replace light bulb with 15-watt appliance bulb (available through Amana or a hardware store). **Do not over-tighten bulb.** Over-tightening may make bulb difficult to remove later.
6. **Reconnect power supply.**



## Vacation Tips

For long vacations or periods of unused, Amana recommends the following:

1. Empty freezer.
2. Unplug freezer.
3. Clean freezer including door gaskets (see *Care and Cleaning* section).
4. Prop doors open so that air can circulate inside and prevent odors

### ⚠️ WARNING

To avoid risk of burns or electrical shock:

- disconnect electrical supply to freezer before changing light bulb.
- before replacing light bulb make sure bulb is cool.
- do not operate freezer without bulb in place.

### ⚠️ CAUTION

Wear gloves to protect hands from accidental bulb breakage.

# Freezing Guidelines

## Freezing Basics

Amana provides this information as a guide to aid in food preservation. For specific questions regarding food handling, cooking, or storage contact **USDA Meat & Poultry Hotline at (800) 535-4555**.

### *Freezer burn?*

Freezer burn occurs when air reaches the surface of the food. The cold, dry air in the freezer causes the foodstuff to dry out in spots and lose quality. While freezer burn may not taste good, it does not make the food unsafe. Freezer burned portions can be cut away either before or after cooking the food.

### **Color changes**

Color changes can occur in frozen foods. This can cause ground beef to go from a bright, cherry red to a darker, duller brown due to lack of oxygen. Freezing normally doesn't cause color changes in poultry, but it will cause a change in color near the bones resulting in 'bone darkening'. These changes are only visual changes and do not indicate poor quality or unsafe food.

## **Fast Freezing Facts**

- You can freeze almost any food, the main exceptions being eggs still in the shell and cans of foods.
- Frozen food kept at 0°F will always be safe. Only the quality of food suffers over time.
- It is safe to freeze meat or poultry directly in supermarket wrapping. Because this wrapping allows in air freezer burn can occur, so the meat should be used within one to two months.
- Freeze foods as quickly as possible. This prevents large ice crystals from forming which disrupts food quality.
- Never stack packages to be frozen. Lay packages out in a single layer and then stack them after they are frozen.
- If food is thawed within a refrigerator, it is safe to refreeze it without cooking.
- During a power outage, a full freezer will normally keep 2 days, a half full freezer about 1 day. Food should be stacked tightly to provide a nest of cold air around the frozen food.
- As a general guideline, food 2-inches thick should freeze completely in about 2 hours.

## **Using an Appliance Thermometer**

An appliance thermometer is the most accurate method to verify that the freezer is working normally and maintaining correct temperatures. The freezer should maintain a temperature of 0° to 2°F.

### **To verify freezer temperature:**

1. Use a thermometer with an easy to read degree display. Thermometer should have a long stem for more accurate temperature reading.
2. Place the thermometer in the freezer between packages of foodstuffs. The thermometer can also be placed in a glass of vegetable oil placed in freezer (vegetable oil will not freeze).
3. Close the freezer lid.
4. Allow the thermometer to sit for 5 to 8 hours inside the closed freezer.
5. Check thermometer. Temperature should read between 0° and 2°F.
6. If temperature is not within the correct range, adjust the temperature by using the temperature control knob. Directions are in the *Using the Freezer Controls* section.



# Freezing Guidelines (cont'd)

## Defrosting Foods

There are basic methods to defrost food safely. Food should never be defrosted at room temperature. This allows deadly bacteria to grow while the food is thawing. To defrost safely use:

- **Refrigerator:** this allows the food to thaw in an environment that controls bacterial growth. Food that is thawed in a refrigerator can be safely refrozen without having to be cooked. Most foods require a day or two to defrost, approximately one day for each 5 lbs. of weight.
- **Cold water:** place food in a leakproof bag and immerse it in cold water (If bag leaks, food will become contaminated by bacteria). Check water frequently to verify it stays cold. Change water every thirty minutes. After thawing, refrigerate the food until it is ready to use.
- **Microwave:** cook food immediately after using a microwave to defrost food. Microwave defrosting warms food and can partially cook it, allowing bacteria to grow as it defrosts. Food cannot be refrozen until it is cooked.

## Packaging

Proper packaging prevents freezer burn, maintains quality of frozen foods and minimizes odor contamination in the freezer.

For short term storage, it is safe to freeze meat or poultry directly in supermarket wrapping. This meat should be used within 1 to 2 months.

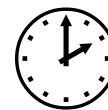
For long term storage, follow these wrapping guidelines:

- Overwrap store wrapped packages with airtight heavy duty foil, plastic wrap or freezer paper.
- Freeze unopened vacuum wrapped packages as they are.
- Make sure lids are sealed tightly when using airtight freezer containers.
- Break down foods into smaller portions for faster freezing.
- Freezer bags can be used. Remove as much air as possible from them before placing in the freezer.
- If a package has accidentally been torn or damaged while in the freezer, the food is still safe to eat. Just overwrap it or repackage it.
- It is not necessary to rinse meat or poultry before freezing.

## FREEZER STORAGE CHART (AT 0°F)

**NOTE: Freezer storage is for quality only.  
Frozen foods remain safe indefinitely.**

Foodstuff	Months
Bacon and Sausage	1 to 2
Casseroles	1 to 2
Egg whites or egg substitutes	12
Gravy, meat or poultry	2 to 3
Ham, Hotdogs and Lunchmeats	1 to 2
Meat, uncooked roasts	9
Meat, uncooked steaks or chops	4 to 6
Meat, uncooked ground	3 to 4
Meat, cooked	2 to 3
Poultry, uncooked whole	12
Poultry, uncooked parts	9
Poultry, uncooked giblets	3 to 4
Poultry, cooked	3 to 4
Soups and Stews	2 to 3
Wild game, uncooked	8 to 12



## Cooking Frozen Foods

Foods can be cooked or reheated directly from a frozen state. The cooking time will multiply to almost one and a half times it would normally take. Remember when cooking poultry or meat to remove paper wrapping, giblet sacks, and any strings that might burn during cooking. Some meats, such as pre-stuffed whole birds, must be cooked from the frozen state to ensure food safety. Remember to read the USDA label on the meat.

# Freezing Guidelines (cont'd)

It's happened to all of us, one day the freezer lid gets left open or the power goes out. Either way, you have a freezer full of food and you don't know what to do with it. The chart below is provided by the USDA and should be used as a guideline only. When in doubt about food safety, it is always better to throw questionable food out.

<b>Food or Food Type</b>	<b>Still contains ice crystals and feels as cold as if refrigerated</b>	<b>Thawed. Held above 40°F for over 2 hours</b>
<b>MEAT, POULTRY and SEAFOOD</b>		
Beef, veal, lamb, pork and ground meats	Refreeze	Discard
Poultry and ground poultry	Refreeze	Discard
Variety meats (liver, kidney, heart, chitterlings)	Refreeze	Discard
Fish, shellfish, breaded seafood products	Refreeze, however, there will be some texture and flavor loss	Discard
<b>DAIRY</b>		
Milk	Refreeze, may lose some texture	Discard
Eggs (out of shell) and egg products	Refreeze	Discard
Ice cream, frozen yogurt	Discard	Discard
Cheese (soft and semi-soft)	Refreeze, may lose some texture	Discard
Hard cheeses	Refreeze	Refreeze
Shredded cheeses	Refreeze	Discard
Casseroles containing milk, cream, eggs, soft cheeses	Refreeze	Discard
Cheesecake	Refreeze	Discard
<b>FRUITS and VEGETABLES</b>		
Juices—fruit	Refreeze	Refreeze. Discard if mold, yeasty smell or sliminess develops
Juices—vegetables	Refreeze	Discard after held above 40°F for 6 hours
Home, commercially packaged or blanched	Refreeze. Will change in texture and flavor	Discard after held above 40°F for 6 hours or if mold, yeasty smell or sliminess develops
<b>BREADS and PASTRIES</b>		
Breads, rolls, muffins, cakes (without custard fillings)	Refreeze	Refreeze
Cakes, pies, pastries with custard or cheese filling	Refreeze	Discard
Pie crusts, commercial and homemade bread dough	Refreeze, some quality loss may occur.	Refreeze. Quality loss is considerable.
<b>OTHER</b>		
Casseroles—pasta or rice based	Refreeze	Discard
Flour, cornmeal, nuts	Refreeze	Refreeze
Breakfast items—waffles, pancakes, bagels	Refreeze	Refreeze
Frozen meal, entrée, specialty items (pizza, sausage and biscuit, meat pie, and convenience foods)	Refreeze	Discard

# Troubleshooting

You may save time and money by checking items below before calling for service. List includes common concerns that are not the result of failed parts or materials. If your question is not explained below, contact Amana Consumer Affairs Department at **800-843-0304**.

## Topic

## Possible Cause

## Solution

### OPERATION

<b>Appliance not working</b>	Power outage	Make sure appliance is plugged in. Verify that circuit breaker is not tripped. Replace fuse but do not change fuse capacity.
<b>Freezer not cooling</b>	Temperature control	Verify that temperature control is set between 1 to 7. Change control setting to 4 or above.
	Poor gasket seal	Clean gasket as described in <i>Care and Cleaning</i> . Apply light coating of petroleum jelly to gasket.
	Failed gasket	Have gasket replaced
	Food added recently	Wait 5 to 8 hours for temperature to stabilize after the addition of large quantities of unfrozen food.
<b>Freezer runs frequently</b>	Normal	Needs to run to maintain an even temperature.
	Lid open	Close lid.
	Temperature set too cold	Adjust temperature control to maintain freezer temperature between 0° to 2° F.
	Poor gasket seal.	Clean gasket as described in <i>Care and Cleaning</i> . Apply light coating of petroleum jelly to gasket.
	Poor clearance	Confirm that freezer has proper clearance on each side and vents are unobstructed as specified in <i>Installation Instructions</i> .
<b>Light fails to illuminate</b>	Bad bulb	Replace bulb as described in <i>User Maintenance</i> section.
	Switch not opening	Clean switch plunger to ensure proper operation.
	Bad switch	Have authorized servicer replace switch.
	Jammed plunger switch	Clean area around plunger switch with mild soap and water. Dry thoroughly. Do not lubricate with petroleum jelly.

### NOISE

<b>Clicks</b>	Normal	Temperature control clicks when starting or stopping compressor.
<b>Gurgles and pops (like boiling water)</b>	Normal	Refrigerant flow through evaporator coil.
<b>Hum or pulsing sound</b>	Normal	Compressor operation.

### APPEARANCE

<b>Water droplets on outside of freezer</b>	Poor gasket seal	Clean gasket as described in <i>Care and Cleaning</i> . Apply light coating of petroleum jelly to gasket. Avoid putting petroleum jelly on plunger switch.
<b>Water pooling in floor by freezer</b>	Poor drain plug	Verify that drain plug is properly in place and sealed. Replace drain plug if seal is poor.

# Amana Warranty

## Full ONE Year Warranty

Amana Appliances will repair or replace, including related labor and travel, any part (f.o.b. Amana Iowa) which proves defective as to workmanship or materials.

## Full TEN Year Warranty on Sealed System Components

Amana Appliances will repair or replace, including related labor and travel, any sealed system component (compressor, condenser, evaporator, drier and interconnecting tubing) which proves defective as to workmanship or materials.

## Food Loss

If there is a food loss due to a failed component covered by this warranty, Amana will provide reimbursement as indicated by the chart provided. Total cumulative reimbursement shall not exceed amount indicated at right:

Model Size (in cubic feet)	Maximum Reimbursement
5 to 9.9	\$200
10 to 15	\$300
16 to 22	\$400

## What is not covered by these warranties

- Replacement of household fuses, resetting of circuit breakers, or correction to household wiring or plumbing.
- Normal product maintenance and cleaning, including light bulbs.
- Products with original serial numbers removed, altered, or not readily determined.
- Products purchased for commercial, industrial, rental, or leased use.
- Products located outside of the United States or Canada.
- Premium service charges, if the servicer is requested to perform service in addition to normal service or outside normal service hours or area.
- Adjustments after the first year.
- Repairs resulting from the following:
  - Improper installation, exhaust system, or maintenance.
  - Any modification, alteration, or adjustment not authorized by Amana.
  - Accident, misuse, abuse, fire, flood, or acts of nature.
  - Connections to improper electrical current, voltage supply, or gas supply.
  - Use of improper pans, containers, or accessories that cause damage to the product.

## To Receive Warranty Service

Service must be performed by an authorized Amana service representative. To schedule service, contact the Amana dealer where you purchased your appliance or contact Amana Appliances Factory Service.

### Amana Appliances Factory Service

1-800-628-5782 inside USA

### For more information, Amana Appliances Consumer Services

Amana Appliances

2800 220th Trail

Amana, Iowa 52204

1-800-843-0304 inside USA

(319) 622-5511 worldwide

## When contacting Amana Appliances please include the following information:

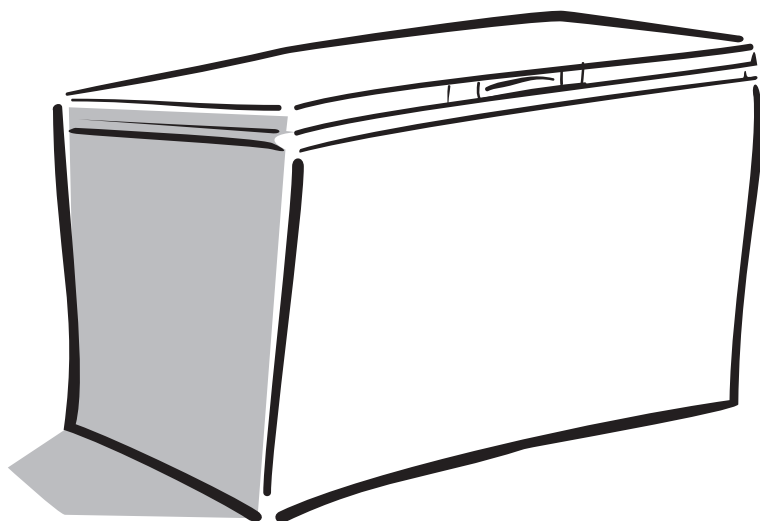
- Your name, address, and telephone number.
- Model number and serial number of your appliance (found on inner right hand wall of the freezer).
- The name and address of your dealer and the date of purchase.
- A clear description of the problem.
- Proof of purchase (sales receipt).

## IN NO EVENT SHALL AMANA BE LIABLE FOR INCIDENTAL OR CONSEQUENTIAL DAMAGES.

This warranty gives you specific legal rights, and you may have others which vary from state to state. For example, some states do not allow the exclusion or limitation of incidental or consequential damages, so this exclusion may not apply to you.

**Amana Appliances Online • <http://www.amana.com>**

# Manual del propietario



## Congeladores de arcón

### Deepfreeze<sup>®</sup>

Conserve las instrucciones para usarlas como referencia futura. Asegúrese de que el manual permanezca con el congelador.

#### Contenido

Información importante de seguridad .....	3
Forma apropiada de desechar el congelador .....	3
Uso del control del congelador .....	4
Características ajustadas personalizadas .....	5
Cuidado y limpieza .....	6
Mantenimiento realizado por el usuario .....	7
Descongelación .....	7
Pautas de congelación .....	8
Diagnóstico de averías .....	11
Garantía Amana .....	12

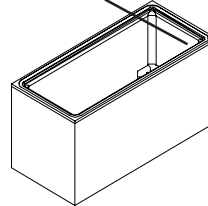


# ¡Gracias por su compra del Congelador Amana!

Dedique un momento a llenar la tarjeta de registro y devuélvala enseguida. Si esta tarjeta no está, llame al Departamento de Asuntos del Cliente de Amana. Cuando se comunique con Amana, proporcione la información del producto de la placa de identificación del producto que se encuentra en la pared interior derecha del congelador de arcón.

Número de modelo \_\_\_\_\_  
Número de fabricación (P) \_\_\_\_\_  
Número de serie (N/S) \_\_\_\_\_  
Fecha de compra \_\_\_\_\_  
Nombre del distribuidor \_\_\_\_\_  
Dirección del distribuidor \_\_\_\_\_  
Teléfono del distribuidor \_\_\_\_\_

Placa de identificación  
del producto



**Conserve este manual y la factura de compra en un lugar seguro** para usarla como referencia futura o si se necesita servicio bajo garantía.

Si tiene alguna pregunta o para localizar a un técnico autorizado de servicio, llame al **1-800-NAT-LSVC (1-800-628-5782) dentro de los EE.UU. o al 319-622-5511 fuera de los EE.UU. Un técnico autorizado de servicio debe efectuar el servicio de garantía.** Amana Appliances también recomienda que se comunique con un técnico autorizado si necesita servicio después de que se venza la garantía.

## Plan de servicio extendido Asure™

Amana Appliances ofrece un servicio de protección a largo plazo para este nuevo congelador. El Plan de servicio extendido Asure™ cubre piezas funcionales, mano de obra y cargos de transporte, está diseñado especialmente para complementar una excelente garantía. Llame al 1-800-528-2682 para obtener información.

## Piezas y accesorios

Compre piezas de repuesto y accesorios adicionales por teléfono. Para pedir accesorios para su producto Amana, llame al 1-800-843-0304 dentro de los EE.UU., o al 319-622-5511 fuera de los EE.UU., o visite nuestro sitio Web en: [www.amana.com](http://www.amana.com)

## Ahorre tiempo y dinero

Si algo le parece raro, revise la sección “Diagnóstico de averías”, la cual está diseñada para ayudarlo a resolver problemas antes de tener que llamar para solicitar servicio. Si tiene preguntas, llame al (800) 843-0304 o escríbanos a:

Consumer Affairs Department  
Amana Appliances  
2800 - 220<sup>th</sup> Trail  
Amana, Iowa 52204 EE.UU.

Recuerde incluir el número de modelo de su aparato y su número telefónico.

Para obtener más información acerca de éste u otros productos Amana, visite nuestro sitio Web en:

**[www.amana.com](http://www.amana.com)**

O bien

llame al Departamento de Asuntos del Cliente al  
**1-800-843-0304**

## Ahora debe conocer las instrucciones de seguridad

Las advertencias y las instrucciones importantes de seguridad que aparecen en este manual no tienen el propósito de cubrir todas las condiciones posibles que podrían ocurrir. Debe usarse sentido común, precaución y cuidado cuando se instale, se presente mantenimiento o se opere el congelador.

Siempre comuníquese con el distribuidor, concesionario, agente de servicio o fabricante para los asuntos relacionados con problemas o condiciones que no entienda.

## Reconozca los símbolos, palabras y etiquetas de seguridad



**PELIGRO**

**PELIGRO**—Riesgos inminentes que **CAUSARÁN** lesiones personales graves o la muerte.



**ADVERTENCIA**

**ADVERTENCIA**—Riesgos o prácticas inseguras que **PODRÍAN** causar lesiones personales graves o la muerte.



**PRECAUCIÓN**

**PRECAUCIÓN**—Riesgos o prácticas inseguras que **PODRÍAN** causar lesiones personales menores, o daños materiales o daños al producto



# INFORMACIÓN IMPORTANTE DE SEGURIDAD



## ADVERTENCIA

Para evitar el riesgo de descargas eléctricas, lesiones personales o la muerte, esta unidad debe estar conectada a tierra apropiadamente.

**Instrucciones de conexión a tierra eléctrica** ¾ este congelador está equipado con una clavija de tres puntas (conexión a tierra) como protección contra los posibles riesgos de descargas. Si tiene un tomacorriente de dos puntas, comuníquese con un electricista calificado para que lo cambie por uno de tres puntas que esté apropiadamente conectado a tierra en conformidad con el Código Eléctrico Nacional.

Los congeladores están diseñados para funcionar con una línea separada de 103 a 126 voltios de corriente alterna, 15 amperios y 60 Hz.

Bajo **ninguna** circunstancia corte ni quite la punta redonda de conexión a tierra de la clavija. El congelador debe estar conectado a tierra en todo momento. No quite la etiqueta de advertencia del cordón eléctrico.

- No use un adaptador de dos puntas.
- No use un cordón de extensión.



## ADVERTENCIA

Para evitar el riesgo de descargas eléctricas, lesiones personales o la muerte, asegúrese que el congelador esté conectado a tierra correctamente y siempre desconéctelo del suministro de energía principal antes de prestarle servicio

## Forma apropiada de desechar el congelador

**Importante:** Los niños atrapados y asfixiados en congeladores no es cosa del pasado. Los congeladores que se arrumban o abandonan; aun cuando sea “sólo por unos cuantos días”, continúan siendo un peligro. Si desecha un congelador viejo, sírvase seguir las instrucciones a continuación para ayudar a prevenir un accidente.

### Antes de tirar su refrigerador o congelador viejo:

- Quítele la tapa.
- Déjele las repisas puestas para que los niños no puedan meterse con facilidad.

## Seguridad general de los aparatos electrodomésticos

1. Instalación apropiada—Asegúrese que su aparato electrodoméstico lo instale y lo conecte a tierra correctamente un técnico calificado.
2. No deje a los niños solos—Los niños no deben estar solos ni desatendidos en el área en donde se use el aparato. No debe dejarlos nunca que se sienten o se paren en ninguna parte del aparato.
3. Utilice las prendas de vestir apropiadas—Las prendas de vestir muy holgadas o que cuelguen nunca deben vestirse mientras se utilice el aparato.
4. Servicio realizado por el usuario—No repare ni reemplace ninguna pieza del aparato a menos que se recomiende específicamente en el manual. Todos los demás servicios debe realizarlos un técnico calificado.

# CONSERVE ESTAS INSTRUCCIONES

# Uso de los controles del congelador

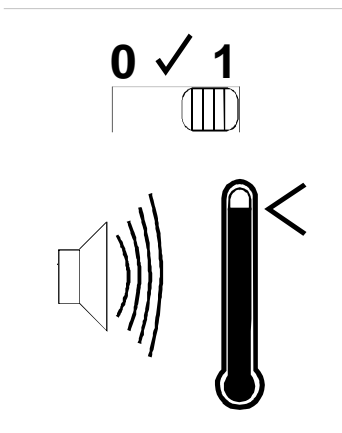
## ? Si estas características son distintas a las tuyas

Estos ejemplos tienen el propósito de mostrarle la variedad de características que hay disponibles en la línea de productos. Si su congelador no tiene todas las opciones que se muestran, no es un error. La información provista corresponde a todos los modelos en la línea de productos.

## ))) Alarma de vigilancia de temperatura

La alarma de vigilancia de temperatura se encuentra ubicada junto a la perilla de control de temperatura. La alarma se controla mediante un interruptor de tres posiciones.

- **0** detiene la alarma para que no suene cuando el congelador esté tibio. Este ajuste puede utilizarse cuando se descongele o cuando se conecte por primera vez el congelador.
- **✓** hace que suene la alarma sin importar la temperatura para verificar que la alarma esté funcionando y sea audible. El sistema de alarma debe probarse cuando menos una vez al mes.
- **I** enciende el monitor de temperatura para el uso normal del congelador. Recuerde colocar el interruptor en 1 después de descongelarlo.



## Control de temperatura

El control de temperatura del congelador usa una escala de ajuste desde 0 hasta 7. Cuando se ajusta en cero el congelador está OFF (APAGADO)—no enfría ni mantiene una temperatura fría. El ajuste 1 es el menos frío de los ajustes y el 7 es el más frío.

Si el congelador se coloca de lado durante el embarque o el transporte, colóquelo en posición vertical y espere 12 horas para conectarlo. Esto evita que se dañe el congelador.

### Cuando conecte el congelador por primera vez:

1. Coloque el ajuste de temperatura del congelador en 4.
2. Espere de 3 a 6 horas.
3. Añada los alimentos.
4. Después de 24 horas, ajuste el control según se desee.

### Para ajustar la temperatura del congelador:

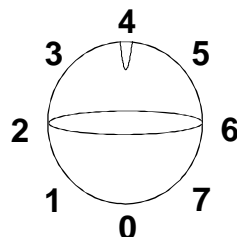
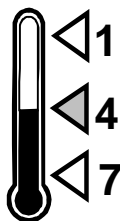
1. Coloque un termómetro doméstico ajustado entre paquetes congelados.
  - El termómetro se puede colocar también en un vaso de aceite vegetal en el congelador (el aceite vegetal no se congela).
  - El termómetro debe ser diseñado para usarse en congeladores.
  - El termómetro debe leer temperaturas que vayan de -5° a 50° F (-20° a 10° C).
2. Espere de 5 a 8 horas.
3. Revise la temperatura.
  - La temperatura debe ser de 0° a 2° F (-17° a -16° C).
  - Si la temperatura no está dentro de esa escala, ajuste el control un número a la vez.
  - Si la temperatura necesita ajuste, espere 5 a 8 horas adicionales y vuelva a revisar la temperatura.

## Perilla del control de temperatura

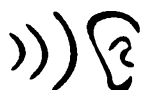
La perilla del control de temperatura está ubicada en la parte exterior del gabinete del congelador en la parte inferior del lado derecho. Para ajustar el control de temperatura, coloque un destornillador plano o una moneda en la ranura y gírelo a la temperatura deseada.

Para conservar energía:

- No ajuste los controles más fríos de lo necesario para mantener una escala de temperatura de 0° a 2°F (-17° a -16° C).
- Opérela en temperaturas ambientales normales alejado de las fuentes de calor y de los rayos directos del sol.
- Mantenga el congelador lleno.
- Mantenga los empaques de la puerta limpios y flexibles siguiendo las instrucciones de limpieza en *Cuidado y limpieza*. Reemplace los empaques si están gastados.



# Características personalizadas



## Alarma del monitor de temperatura

La alarma vigila la temperatura y emite una alarma audible si el congelador se eleva 10°F (-12° C) por encima de la temperatura normal del ajuste que se haya seleccionado. La alarma también sonará si:

- El control de temperatura se mueve más de un ajuste a la vez.
- Si se coloca una cantidad grande de alimentos sin congelar al mismo tiempo en el congelador.



## Seguro de la tapa

El seguro de la tapa evita que la puerta quede abierta accidentalmente, lo cual podría causar descongelación y calentamiento. Para usar el seguro de la tapa:

1. Inserte la llave dentro del seguro aproximadamente a ¼" (0.6 cm).
2. Gire la llave en el sentido de las manecillas del reloj para asegurar el congelador y en contra de las manecillas del reloj para quitar el seguro.



## Foco de encendido

Este foco se encuentra ubicado afuera de la tapa del congelador, y destella cuando el congelador está conectado a una fuente de energía. El foco se apaga cuando se interrumpe la energía o cuando necesita reemplazarse el foco. Una luz intermitente indica un foco defectuoso que necesita reemplazarse. El foco de encendido debe reemplazarlo un técnico de servicio calificado.



## Separador

El separador del congelador ayuda a mantener los artículos congelados en su lugar y clasificados. Éste funciona como retén, ayuda a apilar y separar artículos congelados y los mantiene en su lugar. El separador puede instalarse en donde sea más conveniente para tener un acceso rápido y fácil.



## Canastas

Las canastas pueden usarse para organizar el congelador acomodando los artículos pequeños y difíciles de apilar. Las canastas también ayudan a mantener aire frío en el congelador al ofrecer un acceso rápido y fácil a los artículos usados con frecuencia. Las canastas se apoyan con libertad en el recubrimiento del congelador y pueden ajustarse hacia la izquierda o derecha según la preferencia personal.



## Indicador de descongelación

El indicador de descongelación es un pequeño medio globito unido a la sección superior de la pared posterior del interior del congelador. Cuando lo congelado es tan grueso como el indicador y lo rodea o lo cubre de manera que no puede verse, es momento de descongelar el congelador. Para obtener las instrucciones de descongelación, vea la sección *Mantenimiento realizado por el usuario*.

## Foco interior

El foco interior ilumina el interior del congelador en condiciones de poca o mala luz. El foco es de 15 vatios, para electrodomésticos. El foco está diseñado y probado para ofrecer iluminación con la mínima generación de calor si se deja abierta la puerta accidentalmente. Para reemplazarlo, vea la sección *Mantenimiento realizado por el usuario*.



## ADVERTENCIA

Para evitar que los niños puedan quedar atrapados mantenga la llave fuera del alcance de los niños y alejada del congelador.

## La llave no se mantendrá puesta...

Para ayudar a proteger a los niños y prevenir que puedan quedar atrapados, todos los seguros de los congeladores Amana tienen un función que 'rebota la llave'. Esto significa que cuando se inserta la llave dentro del seguro, debe empujarse hacia adentro y usarse presión mientras se gira la llave. Una vez que se pone o se quita el seguro, el seguro empujará la llave hacia afuera, haciendo imposible dejar la llave en el seguro. La llave debe conservarse en un lugar seguro alejado de los niños.



## Si estas características son distintas a las suyas

Estos ejemplos tienen el propósito de mostrarle la variedad de características que hay disponibles en la línea de productos. Si su congelador no tiene todas las opciones que se muestran, no es un error. La información provista corresponde a todos los modelos en la línea de productos.

## ¿Puedo conseguir otra canasta?

Si desea más accesorios para su congelador, están a una llamada de distancia. Comuníquese con el distribuidor local Amana, o llame al:

(800) 843-0304 dentro de los EE.UU.,  
o  
al (319) 622-5511 fuera de los EE.UU.,  
o

visite nuestro sitio Web en:  
[www.amana.com](http://www.amana.com)

# Cuidado y limpieza



## ADVERTENCIA

Para evitar descargas eléctricas, lesiones personales o la muerte, desconecte la energía eléctrica al congelador antes de limpiarlo.



## PRECAUCIÓN

Para evitar lesiones personales o daños materiales, lea y siga todas las instrucciones del fabricante sobre la limpieza del producto.

## Sellado de los empaques de la puerta

Los empaques de la puerta se ensucian con el tiempo, lo que afecta el sellado y desempeño del congelador. Para mantenerlo funcionando bien y para minimizar las fugas de aire, limpie los empaques cuando menos cada tres meses.

1. Limpie los empaques con agua tibia y jabón suave.
2. Séquelos completamente con un paño limpio.
3. Aplique una capa ligera de jalea de petróleo al empaque para mantenerlo flexible.
4. Evite poner jalea de petróleo en el interruptor de émbolo que controla la función del foco interior.

## Continúa atorado...

Los residuos pegajosos retan hasta el mejor producto de limpieza. Para quitar residuos pegajosos del congelador:

1. Coloque un poquito de pasta dental sobre la substancia pegajosa.
2. Frote la pasta dental sobre lo pegajoso hasta que se suelte.
3. Enjuague la superficie con agua limpia y tibia.
4. Séquela con un paño suave.

## Soluciones limpiadoras

En general la mayor parte de la limpieza puede hacerse con agua tibia y jabonosa según se necesite. Para mantener el congelador luciendo como nuevo y funcionando con eficacia, siga estas pautas de limpieza:

### NO UTILICE

- Blanqueadores ni amoníaco
- Limpiadores ásperos o abrasivos
- Detergentes concentrados ni solventes
- Almohadillas metálicas para tallar
- La lavadora de platos para las canastas ni los accesorios

### UTILICE

- Agua jabonosa tibia para quitar la mayoría de la suciedad
- Cuatro cucharadas de bicarbonato de sodio en un litro de agua para hacer una solución de limpieza suave
- Agua tibia para enjuagar todas las superficies
- Un paño suave para secar todas las superficies

## Para eliminar los olores

Aun con los envoltorios de carne y pescado más sellados, pueden formarse malos olores. Para eliminarlos, siga las instrucciones que se proporcionan a continuación:

1. Mueva todos los alimentos a otro congelador, si es posible, o colóquelos en una hielera bien aislada.
2. Desconecte la energía eléctrica al congelador.
3. Lave todas las superficies del interior incluso la tapa, el piso y las paredes.
4. Limpie las esquinas, grietas y ranuras concienzudamente.
5. Lave a mano todos los accesorios y las canastas.
6. Seque completamente con un paño suave y limpio.
7. Vuelva a conectar la energía eléctrica al congelador.
8. Vuelva a colocar los alimentos en el congelador. Verifique que todos los alimentos estén bien envueltos o en recipientes sellados para evitar que vuelvan a formarse malos olores.
9. Después de 24 horas, revise el congelador para asegurarse que el mal olor haya desaparecido.

Si el mal olor persiste:

1. Quite todos los alimentos y colóquelos en otro congelador.
2. Desconecte la energía eléctrica al congelador.
3. Empaque el congelador con hojas arrugadas de periódico en blanco y negro.
4. Coloque carbones comunes en los periódicos en todo el congelador.
5. Cierre la puerta del congelador y déjelo así durante 24 a 48 horas.
6. Saque los carbones y los periódicos. Límpielo de acuerdo a las instrucciones que se proporcionaron anteriormente.
7. Vuelva a conectar la energía eléctrica al congelador.
8. Vuelva a colocar los alimentos en el congelador en recipientes sellados herméticamente para reducir la contaminación de olor.
9. Si se coloca una torunda de algodón con vainilla o una caja abierta de bicarbonato de sodio en el congelador también podría ayudar a prevenir que se vuelvan a formar malos olores.

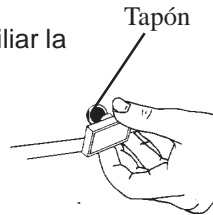
# Mantenimiento realizado por el usuario



## Descongelación

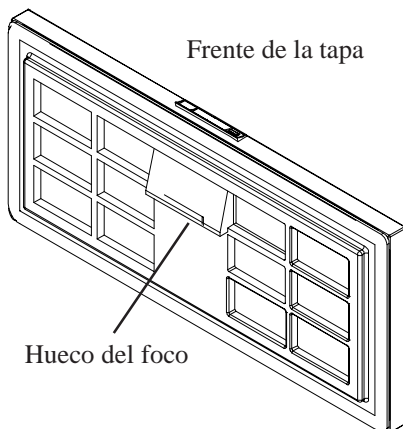
Los congeladores de arcón necesitan descongelarse cuando el hielo llega a ¼" (0.6 cm) de espesor. La sección superior del congelador generalmente tendrá más hielo acumulado que la inferior. La escarcha **no debe** tallarse ni arrancarse del congelador ya que podría dañarlo.

1. Transfiera los alimentos a otro congelador o a una hielera bien aislada.
2. Desconecte la energía eléctrica al congelador.
3. Algunos modelos tienen tapones de drenaje para auxiliar la descongelación. Tire con suavidad para quitar los tapones.
  - El tapón interior de drenaje está ubicado en la esquina inferior izquierda.
  - El tapón exterior de drenaje está ubicado en la esquina inferior delantera izquierda.
4. Coloque una bandeja poco honda debajo de la abertura para recolectar el agua descongelada o sujete una manguera de jardín al orificio exterior de drenaje con un adaptador para mangueras.
5. Para acelerar la descongelación, pueden colocarse recipientes con agua caliente en el congelador.
6. Una vez que se descongele, limpie el congelador de acuerdo a las pautas en *Cuidado y limpieza*.
7. Quite los adaptadores de manguera si se usaron. Vuelva a colocar los tapones de drenaje.
  - El tapón de drenaje debe estar instalado correctamente para que funcione con eficacia.
8. Restaure la energía eléctrica al congelador.



## Cambio del foco

El foco interior está ubicado en el hueco posterior en el centro de la tapa del congelador. El foco puede cambiarse con un foco de electrodomésticos de 15 vatios. Para reducir el riesgo de descargas eléctricas o lesiones, el congelador no debe operarse sin el foco instalado.



1. Desconecte el suministro eléctrico.
2. Abra la puerta del congelador y busque el foco detrás del hueco para el foco.
3. Con guantes protectores, introduzca la mano por detrás del hueco marcado y tiente el foco para electrodomésticos.
4. Gire el foco en sentido contrario al de las manecillas del reloj para quitarlo.
5. Reemplace el foco con uno para electrodomésticos de 15 vatios (disponible por medio de Amana o una ferretería). **No apriete de más el foco.** Si lo hace podría ser difícil quitarlo más adelante.
6. **Vuelva a conectar el suministro de energía eléctrica.**

### **ADVERTENCIA**

Para evitar descargas eléctricas, lesiones personales graves o la muerte, desconecte la energía eléctrica al congelador antes de descongelarlo.

### **PRECAUCIÓN**

Para evitar daños materiales, no use instrumentos puntiagudos ni afilados para tallar la escarcha de las repisas o de las superficies interiores.

## Consejos para cuando está de vacaciones

Para períodos largos de vacaciones o cuando no se use, Amana recomienda lo siguiente:

1. Desocupe el congelador.
2. Desconecte el congelador.
3. Limpie el congelador incluso los empaques de la puerta (vea la sección Cuidado y limpieza)
4. Mantenga las puertas abiertas para que el aire circule por dentro y evitar los malos olores.

### **ADVERTENCIA**

Para evitar el riesgo de quemaduras o descargas eléctricas:

- desconecte el suministro eléctrico del congelador antes de cambiar el foco.
- antes de cambiar el foco asegúrese de que esté frío.
- no opere el congelador sin el foco puesto en su lugar.

### **PRECAUCIÓN**

Use guantes para protegerse las manos en caso de que se quiebre accidentalmente el foco.



# Pautas de congelación

## Información básica de la congelación

Amana ofrece esta información como una guía auxiliar para la preservación de los alimentos. Para preguntas específicas relacionadas con el manejo, la cocción o el almacenamiento de alimentos, comuníquese a la **línea directa de la USDA Meat & Poultry al (800) 535-4555**.

### ¿Quemaduras de congelación?

Las quemaduras de congelación ocurren cuando el aire toca las superficies de los alimentos. El aire frío y seco en el congelador causa que los alimentos se sequen en áreas y pierdan su calidad. Aunque las quemaduras de congelación pueden no saber muy bien, no hacen que los alimentos sean peligrosos. Las porciones quemadas pueden cortarse ya sea antes o después de cocinar los alimentos.

### Cambios de color

Los cambios de color pueden ocurrir en los alimentos congelados. Esto puede hacer que la carne molida cambie de un rojo brillante, un rojo cereza o más oscuro a un café opaco debido a la falta de oxígeno. La congelación naturalmente no causa cambios de color en las aves, pero causará un cambio de color cerca de los huesos que causará el “oscurecimiento de los huesos”. Estos cambios son solamente visuales y no indican menor calidad ni que los alimentos sean menos seguros.

### Hechos acerca la congelación rápida

- Usted puede congelar casi cualquier alimento, las excepciones principales son los huevos en su cascarón y latas de alimentos.
- Los alimentos congelados que se mantienen a 0°F (-17°C) siempre serán seguros. Solamente la calidad de los alimentos sufrirá con el tiempo.
- Es seguro congelar carne o aves directamente en el envoltorio del supermercado. Debido a que este envoltorio permite la entrada del aire pueden ocasionarse las quemaduras, así que los alimentos deben usarse en uno a dos meses.
- Congele los alimentos tan pronto como sea posible. Esto evita que se formen cristales grandes que pueden estropear la calidad de los alimentos.
- Nunca apile paquetes que se van a congelar. Coloque los paquetes en una capa individual y después de que se congelen, empálmelos.
- Si el alimento se descongela dentro del refrigerador, es seguro volver a congelarlos sin cocinarlos.
- Durante una interrupción de energía, un congelador lleno debe mantenerse normalmente durante dos días, y un congelador lleno a la mitad como un día. Los alimentos deben acomodarse pegados entre sí para proporcionar un nido de aire frío alrededor de los alimentos congelados.
- Como regla general, un alimentos de dos pulgadas (5 cm) de espesor debe congelarse completamente en dos horas.

### Uso del termómetro para electrodomésticos

El termómetro para electrodomésticos es el mejor método para verificar que el congelador esté trabajando normalmente y manteniendo las temperaturas correctas. El congelador debe mantener una temperatura de 0° a 2° F (-17° a -16° C).

#### Para verificar la temperatura del congelador:

1. Use un termómetro con una pantalla en grados fácil de leer. El termómetro debe tener un mango largo para obtener una lectura más precisa.
2. Coloque el termómetro en el congelador entre paquetes de alimentos. El termómetro también puede colocarse en un vaso de vidrio con aceite vegetal dentro del congelador (el aceite vegetal no se congela).
3. Cierre la tapa del congelador.
4. Permita que el termómetro permanezca dentro del congelador cerrado durante 5 a 8 horas.
5. Revise el termómetro. La temperatura debe estar entre 0° y 2° F (-17° a -16° C).
6. Si la temperatura no está dentro de la escala correcta, ajústela usando la perilla de control de temperatura. Las instrucciones están en la sección *Uso de los controles del congelador*.

Todos los tiempos y consejos son proporcionados por la USDA



# Pautas de congelación (continuación)

## Descongelación de alimentos

Existen métodos básicos para descongelar alimentos de modo seguro. Los alimentos nunca deben descongelarse a temperatura ambiental. Esto permite que las bacterias peligrosas se reproduzcan mientras los alimentos se descongelan. Para descongelar de modo seguro:

- **Refrigerador:** esto permite que los alimentos se descongele en un medio que controla la reproducción de las bacterias. Los alimentos que se descongelan en un refrigerador puede volver a congelarse de modo seguro sin tener que haberse cocinado previamente. La mayoría de los alimentos necesitan uno o dos días para descongelarse, un día aproximadamente por cada 5 libras (2.27 k) de peso.
- **Agua fría:** coloque los alimentos en una bolsa a prueba de goteo y sumérgala en agua fría (si la bolsa tiene fugas, los alimentos se contaminarán con bacteria). Revise el agua frecuentemente para verificar que continúe fría. Cambie el agua cada treinta minutos. Después de descongelarse, refrigere los alimentos hasta que esté listo para usarlos.
- **Microondas:** cocine los alimentos inmediatamente después de usar un horno de microondas para descongelar los alimentos. Esta forma de descongelar calienta los alimentos y puede cocinarla parcialmente, lo que permite que las bacterias crezcan mientras se descongela. Los alimentos no pueden volver a congelarse hasta que estén cocidos.

## Empacado

El empacado apropiado previene las quemaduras de congelación, mantiene la calidad de los alimentos congelados y minimiza la contaminación de malos olores en el congelador.

Para almacenar por poco tiempo, es seguro congelar la carne o las aves directamente en el empaquetado del supermercado. Esta carne debe usarse dentro de uno a dos meses.

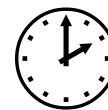
Para almacenar por largo tiempo, siga los pasos a continuación:

- Vuelva a empacar los paquetes del supermercado con aluminio extra grueso, plástico para envolver o papel para congelar perfectamente sellado.
- Congele los paquetes empacados al vacío tal como vienen.
- Asegúrese que las tapas estén bien selladas cuando utilice recipientes para congelador.
- Corte los alimentos en pedazos más pequeños para que se congelen más rápido.
- Las bolsas de congelador pueden usarse. Sáqueles todo el aire posible antes de colocarlas en el congelador.
- Si un paquete se rompe o se daña accidentalmente mientras está en el congelador, los alimentos continúan siendo seguros para consumirse. Solamente vuelva a envolver el paquete.
- No es necesario enjuagar las carnes ni las aves antes de

## TABLA DE ALMACENAJE EN EL CONGELADOR (A 0° F [-17°C])

NOTA: El almacenamiento en el congelador es solamente para calidad. Los alimentos congelados continúan siendo seguros indefinidamente.

Alimentos	Meses
Tocino y salchichas	1 a 2
Guisos	1 a 2
Claras o sustitutos de huevo	12
Salsas, carnes o aves	2 a 3
Jamón, salchichas y carnes frías	1 a 2
Carnes, trozos sin cocer	9
Carnes, bistecs o costillas sin cocer	4 a 6
Carnes, molida sin cocer	3 a 4
Carnes, cocidas	2 a 3
Aves, enteras sin cocer	12
Aves, en piezas sin cocer	9
Aves, menudillos sin cocer	3 a 4
Aves, cocidas	3 a 4
Sopas y caldos	2 a 3
Aves de caza, sin cocer	8 a 12



## Cocción de alimentos congelados

Los alimentos pueden cocinarse o recalentarse directamente de su estado congelado. El tiempo de cocción se multiplicará por casi una y media veces el tiempo que normalmente se tarda. No se olvide, al cocinar aves o carnes, de quitarles los envoltorios de papel, las bolsas de menudillos y cualquier tira que pudiera quemarse durante la cocción. Algunas carnes, tales como las aves previamente rellenas, deben cocinarse congeladas para asegurar la seguridad del alimento. Recuerde que debe leer la etiqueta del

# Pautas de congelación (continuación)

Nos ha pasado a todos, un día alguien deja la tapa del congelador abierta o la energía se interrumpe. De cualquier manera, tiene un congelador lleno de alimentos y no sabe qué hacer al respecto. La tabla siguiente la proporciona la USDA y debe usarse solamente como una pauta. Cuando tenga dudas acerca de la seguridad de algún alimento, siempre es mejor desechar el alimento dudoso.

<b>Alimento o tipo de alimento</b>	<b>Todavía tiene cristales de hielo y se siente tan frío como si estuviera refrigerado</b>	<b>Descongelado. Se mantuvo a más de 40° F (4°C) durante más de dos horas</b>
<b>CARNES, AVES Y MARISCOS</b>		
Res, venado, cordero, cerdo y carne molida	Vuelva a congelarla	Deséchela
Aves y carne molida de ave	Vuelva a congelarla	Deséchela
Carnes variadas (hígado, riñón, corazón, menudencias)	Vuelva a congelarla	Deséchela
Pescado, marisco, productos empanizados de pescado	Vuelva a congelarlo, sin embargo, se perderá algo de textura y sabor	Deséchelo
<b>LÁCTEOS</b>		
Leche	Vuelva a congelarla, podría perder algo de textura	Deséchela
Huevos (sin cascarón) y productos de huevo	Vuelva a congelarlos	Deséchelos
Helados, yogur congelado	Deséchelo	Deséchelo
Queso (suave y semisuave)	Vuelva a congelarlo, podría perder algo de textura	Deséchelo
Queso duro	Vuelva a congelarlo	Vuelva a congelarlo
Queso rayado	Vuelva a congelarlo	Deséchelo
Guisos que contienen leche, crema, huevos, quesos suaves	Vuelva a congelarlo	Deséchelo
Pastel de queso	Vuelva a congelarlo	Deséchelo
<b>FRUTAS y VEGETALES</b>		
Jugos — de frutas	Vuelva a congelarlos	Vuelva a congelarlos, deséchelos si tienen moho, huelen a levadura o se sienten pegajosos
Jugos — de vegetales	Vuelva a congelarlos	Deséchelos después de dejarlos durante más de 6 horas a más de 40° F (4° C).
Empacados o blanqueados doméstica o comercialmente	Vuelva a congelarlos. Cambiarán de color y sabor	Deséchelos después de dejarlos durante más de 6 horas a más de 40° F (4° C) o si tienen moho, huelen a levadura o se sienten pegajosos.
<b>PANES y PASTELILLOS</b>		
Panes, roles, molletes, pasteles (sin rellenos de crema)	Vuelva a congelarlos	Vuelva a congelarlos
Pasteles, pays, pastelillos con relleno de crema o queso	Vuelva a congelarlos	Deséchelos
Cortezas de pay, masa para pan comercial o hecha en casa	Vuelva a congelarlas, podría perder algo de calidad	Vuelva a congelarlas, perderán mucha calidad
<b>OTROS</b>		
Guisos — con base de pasta o arroz	Vuelva a congelarlos	Deséchelos
Harina, harina de maíz, nueces	Vuelva a congelarlas	Vuelva a congelarlas
Artículos de desayuno — waffles, pancakes, bagels	Vuelva a congelarlas	Vuelva a congelarlas
Alimentos preparados, entremeses, artículos especiales congelados (pizza, salchichas y bizcochos, rellenos de pays y alimentos convenientes)	Vuelva a congelarlos	Deséchelos

# Diagnóstico de averías

Usted puede ahorrarse tiempo y dinero si revisa los artículos a continuación antes de llamar para solicitar servicio. La lista incluye inquietudes comunes que no son por piezas o materiales dañados. Si su pregunta no se explica a continuación, comuníquese con el Departamento de Asuntos del Cliente al **800-843-0304**.

## Tema

## Posible causa

## Solución

### FUNCIONAMIENTO



<b>El aparato no funciona</b>	Interrupción de la energía	Asegúrese que el aparato esté conectado. Verifique que el cortacircuitos no esté botado. Cambie el fusible pero no cambie la capacidad del fusible.
<b>El congelador no enfría</b>	Control de temperatura	Verifique que el control de temperatura esté ajustado entre 1 y 7. Cambie el ajuste de la temperatura a 4 o más alto
	Mal sellado del empaque	Limpie el empaque como se describe en <i>Cuidado y limpieza</i> . Aplique una capa ligera de jalea de petróleo al empaque.
	Empaque dañado	Haga que le cambien el empaque.
	Se añadieron alimentos recientemente	Espere de 5 a 8 horas para que la temperatura se establezca después de añadir grandes cantidades de alimentos que no estén congelados.
<b>El congelador arranca con frecuencia</b>	Es normal	Necesita arrancar para mantener una temperatura uniforme.
	La tapa está abierta	Cierre la tapa.
	La temperatura está ajustada muy fría	Ajuste el control de temperatura para mantener la temperatura del congelador entre 0° a 2° F (-17° a -16° C).
	Empaque sella mal	Limpie el empaque como se describe en <i>Cuidado y limpieza</i> . Aplique una capa ligera de jalea de petróleo al empaque.
	Poco espacio	Verifique que el congelador tenga los espacios libres apropiados en cada lado y que las ventilas no estén obstruidas según se especifica en <i>Instrucciones de instalación</i> .
<b>El foco no se enciende</b>	Foco fundido	Cambie el foco según se describe en la sección <i>Mantenimiento realizado por el usuario</i> .
	El interruptor no funciona	Limpie el émbolo del interruptor para garantizar el funcionamiento apropiado.
	Interruptor descompuesto	Haga que un técnico autorizado de servicio cambie el interruptor.
	El émbolo del interruptor está atorado	Limpie el área alrededor del émbolo del interruptor con agua y jabón suave. Séquelo completamente. No lo lubrique con jalea de petróleo.

### RUIDOS



<b>Hace clic</b>	Es normal	El control de temperatura hace clic cuando arranca y detiene el compresor.
<b>Gorgotea y hace ruiditos** (como el agua hirviendo)</b>	Es normal	El flujo del refrigerante a través del serpentín del evaporador
<b>Suena como zumbido o pulsación</b>	Es normal	Funcionamiento del compresor.

### APARIENCIA

<b>Gotas de agua en la parte exterior del congelador</b>	Mal sello del empaque	Limpie el empaque como se describe en <i>Cuidado y limpieza</i> . Aplique una ligera capa de jalea de petróleo en el empaque. Evite que la jalea de petróleo caiga en el émbolo del interruptor.
<b>Agua acumulada en el suelo debajo del congelador</b>	Tapón de drenaje dañado	Verifique que el tapón de drenaje esté en el lugar correcto y sellando. Cambie el tapón de drenaje si no sella bien.

# Garantía Amana

## Garantía de UN año completo

Amana Appliances reparará o reemplazará, incluso la mano de obra y el transporte correspondientes, (I.a.b. Amana, Iowa) cualquier pieza que se compruebe defectuosa por fabricación o materiales.

## Garantía de DIEZ años completos en los componentes del sistema sellado

Amana Appliances reparará o reemplazará, incluso la mano de obra y el transporte correspondientes, cualquier componente del sistema sellado (compresor, condensador, evaporador, secador y tubería de conexión interna) los cuales se compruebe que estén defectuosos en relación a la mano de obra o a los materiales.

## Pérdida de alimentos

Si sucediera la pérdida de alimentos debido a la falla de un componente cubierto por esta garantía, Amana proporcionará el reembolso según se indica en la tabla que se proporciona. El reembolso acumulado total no deberá sobrepasar la cantidad que se indica a la derecha:

Tamaño del modelo (en pies cúbicos)	Reembols o máximo
5 a 9.9 pies <sup>3</sup>	\$200
10 a 15 pies <sup>3</sup>	\$300
16 a 22 pies <sup>3</sup>	\$400

## Lo que no está cubierto bajo esta garantía

- Reemplazo de fusibles domésticos, reajuste de cortacircuitos ni la corrección del cableado o plomería domésticos.
- Mantenimiento y limpieza normales del producto, incluso los focos.
- Productos que no tengan los números de serie originales, o los tenga alterados o no se puedan determinar fácilmente.
- Productos comprados con fines de uso comercial, industrial, para alquiler o renta.
- Productos ubicados fuera de los Estados Unidos o Canadá.
- Cargos por servicio principal, si al técnico se le pide que realice servicios adicionales al servicio normal o fuera de horas hábiles o del área.
- Ajustes después del primer año .
- Las reparaciones causadas por:
  - La instalación, el sistema de escape o el mantenimiento incorrectos.
  - Las modificaciones, alteraciones o ajustes no autorizados por Amana.
  - Los accidentes, el mal uso, el maltrato, los incendios, las inundaciones o los actos de la naturaleza.
  - Las conexiones a la corriente eléctrica, el suministro de voltaje o el suministro de gas realizadas incorrectamente.
  - El uso de las bandejas, los recipientes o los accesorios incorrectos que hayan causado daños al producto.

### EN NINGÚN CASO AMANA APPLIANCES SERÁ RESPONSABLE POR DAÑOS EMERGENTES NI INCIDENTALES.

Esta garantía le otorga derechos legales específicos y usted puede tener otros que varían de un estado a otro. Por ejemplo, algunos estados no permiten la exclusión o la limitación de los daños emergentes ni incidentales, de modo que esta exclusión puede no corresponder a su caso.

## Para recibir servicio bajo garantía

El servicio debe realizarlo un representante de servicio autorizado de Amana. Para programar algún servicio, comuníquese con el distribuidor de Amana en donde compró el aparato o comuníquese con Amana Appliances Factory Service (Servicio de fábrica para los aparatos Amana).

### Amana Appliances Factory Services

1-800-628-5782 dentro de los EE.UU.

### Para obtener más información, comuníquese con:

#### Amana Appliances Customer Services

Amana Appliances

2800 220<sup>th</sup> Trail

Amana, Iowa 52204 EE.UU.

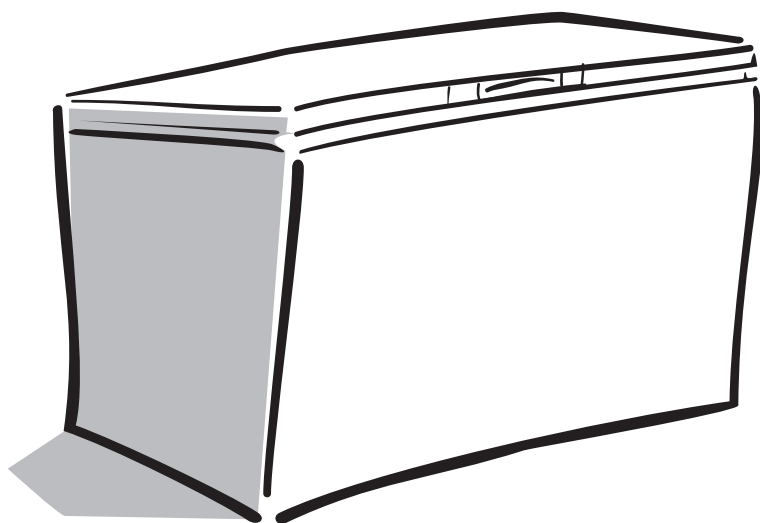
1-800-843-0304 dentro de los EE.UU.

(319) 622-5511 mundialmente

## Cuando se comunique con Amana Appliances incluya la información a continuación:

- Su nombre, dirección y número telefónico.
- Número de modelo y de serie del aparato (localizado en la pared derecha del congelador).
- El nombre y la dirección del distribuidor y la fecha de compra.
- Una descripción clara del problema.
- Prueba de compra (factura de compra).

# Manuel du propriétaire



## Table des matières

Importantes consignes de sécurité .....	3
Mise au rebut de l'appareil .....	3
Commandes du congélateur .....	4
Caractéristiques .....	5
Nettoyage et entretien .....	6
Entretien normal .....	7
Dégivrage .....	7
Conseils pour la congélation .....	8
Avant d'appeler le technicien .....	11
Garantie Amana .....	12

## Congélateurs coffres

## Deepfreeze<sup>®</sup>

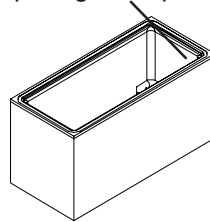
Conserver ces instructions pour référence ultérieure.  
S'assurer que ce manuel accompagne toujours le congélateur.



# Merci d'avoir acheté un congélateur Amana !

Prendre quelques instants pour remplir la carte d'enregistrement et nous la retourner sans tarder. En l'absence de toute carte d'enregistrement, appeler le service à la clientèle d'Amana. Lors de tout contact avec Amana, donner les renseignements nécessaires sur l'appareil. Ceux-ci se trouvent sur la plaque signalétique située sur la paroi intérieure droite du congélateur coffre :

Numéro de modèle : \_\_\_\_\_ plaque signalétique  
Numéro de fabrication : \_\_\_\_\_  
Numéro de série : \_\_\_\_\_  
Date d'achat : \_\_\_\_\_  
Nom du détaillant : \_\_\_\_\_  
Adresse du détaillant : \_\_\_\_\_  
Numéro de téléphone du détaillant : \_\_\_\_\_



**Garder ce manuel ainsi qu'une copie du récépissé de vente en lieu sûr** pour référence ultérieure ou si une réparation sous garantie s'avère nécessaire.

Pour toute question ou pour connaître l'adresse d'un prestataire de service après-vente agréé, appeler le **1-800-NAT-LSVC (1-800-628-5782)** des États-Unis ou le **319-622-5511** de l'extérieur des États-Unis. **Les prestations de garantie doivent être effectuées par un prestataire de service après-vente agréé.** Amana recommande également de contacter un prestataire de service après-vente agréé en cas de réparations après expiration de la garantie.

Pour de plus amples renseignements sur cet appareil et les autres produits Amana, visiter notre site Web **www.amana.com** ou appeler le service à la clientèle au **1-800-843-0304**

## Programme d'entretien prolongé Asure™

Amana Appliances est heureuse de proposer un programme d'entretien à long terme pour ce nouveau congélateur. Le programme d'entretien prolongé Asure™, couvrant les pièces, la main-d'œuvre et les frais de déplacement, sert de complément à notre excellente garantie. Pour de plus amples renseignements, appeler le 1-800-528-2682.

## Pièces et accessoires

Les pièces de rechange et les accessoires supplémentaires peuvent être achetés par téléphone. Pour commander des accessoires pour tout appareil Amana, appeler le 1-800-843-0304 des États-Unis ou le 1-319-622-5511 de l'extérieur des États-Unis.

## Gagner du temps et épargner de l'argent

Prière de consulter la section «Avant d'appeler le technicien» pour résoudre les problèmes communs. Pour toute question, appeler le **(800) 843-0304** ou nous écrire à l'adresse suivante :

Consumer Affairs Department  
Amana Appliances  
2800 - 220<sup>th</sup> Trail  
Amana, Iowa 52204  
États-Unis

Ne pas oublier d'indiquer le numéro de modèle de l'appareil ainsi que le numéro de téléphone du propriétaire.

## Ce qu'il faut savoir à propos des consignes de sécurité

Les consignes de sécurité et les mises en garde présentées dans ce manuel ne couvrent pas toutes les situations possibles. Faire preuve de jugement, de prudence et d'attention lors de l'installation, de l'entretien et de l'utilisation du congélateur.

Lorsque survient un problème ou une situation inhabituelle, toujours communiquer avec le détaillant, le distributeur, le technicien agréé ou le fabricant.

## Il importe de reconnaître les symboles, les expressions et les étiquettes de sécurité

 **DANGER**

**DANGER** - Indique un danger immédiat qui **RÉSULTERA** en une blessure ou un décès.

 **MISE EN GARDE**

**MISE EN GARDE** - Indique un danger ou une manœuvre non sécuritaire qui **RISQUE** de causer une blessure ou un décès

 **ATTENTION**

**ATTENTION** - Indique un danger ou une manœuvre non sécuritaire qui **RISQUE** de causer une blessure mineure, des dégâts matériels ou d'endommager le produit.



# IMPORTANTES CONSIGNES DE SÉCURITÉ



## MISE EN GARDE

Pour éviter tout risque d'électrocution, de blessures ou de décès, cet appareil doit être correctement mis à la terre.

**Mise à la terre :** Cet appareil est équipé d'une prise à trois broches permettant de relier l'appareil à la terre pour protéger l'utilisateur contre les risques d'électrocution. Si la prise murale sur laquelle l'appareil doit être branché est à deux trous, contacter un électricien qualifié et la faire remplacer par une prise murale à trois trous reliée à la terre conformément aux normes du code d'électricité national.

Les congélateurs sont conçus pour fonctionner sur un circuit indépendant de 103 à 126 V c.a., 15 A et 60 Hz.

**Ne jamais** couper ni enlever la broche ronde de mise à la terre de la prise. Le congélateur doit absolument être relié à la terre. Ne pas enlever l'étiquette de mise en garde du cordon électrique.

- **Ne pas utiliser d'adaptateur pour prise murale à deux trous.**
- **Ne pas utiliser de rallonge.**



## MISE EN GARDE

Pour éviter tout risque d'électrocution, de blessures ou de décès, s'assurer que le congélateur a été correctement mis à la terre et toujours le débrancher avant de procéder à toute réparation.

## Consignes de sécurité relatives à l'appareil

1. Mise en service adéquate— S'assurer que l'appareil est correctement mis en service et mis à la terre par un technicien qualifié.
2. Ne jamais laisser des enfants seuls—Ne jamais laisser des enfants seuls ou sans surveillance à proximité de l'endroit où l'appareil est utilisé. Ils ne doivent jamais être autorisés à s'asseoir ou à se tenir debout sur l'appareil.
3. Porter des vêtements appropriés—Ne jamais porter de vêtements amples pendant l'utilisation de cet appareil.
4. Réparation effectuée par l'utilisateur—Ne jamais réparer ou remplacer toute pièce de cet appareil à moins que cela ne soit spécifiquement recommandé dans le manuel. Toute autre réparation doit être effectuée par un technicien agréé.

## Mise au rebut du congélateur

**IMPORTANT :** Les risques d'emprisonnement et de suffocation chez les enfants ne sont pas phénomènes du passé. Les vieux réfrigérateurs abandonnés sont encore dangereux, même s'ils sont entreposés pour « quelques jours seulement ». Pour se défaire d'un vieux réfrigérateur, lire les instructions ci-dessous afin d'éviter les accidents.

### Avant de jeter un vieux réfrigérateur ou congélateur:

- Retirer la porte.
- Laisser les tablettes en place pour que les enfants ne puissent pas facilement entrer à l'intérieur.

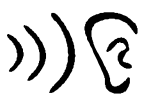
# CONSERVER DES INSTRUCTIONS

# Commandes du congélateur

## ? Les caractéristiques de ce congélateur peuvent être différentes

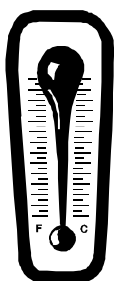
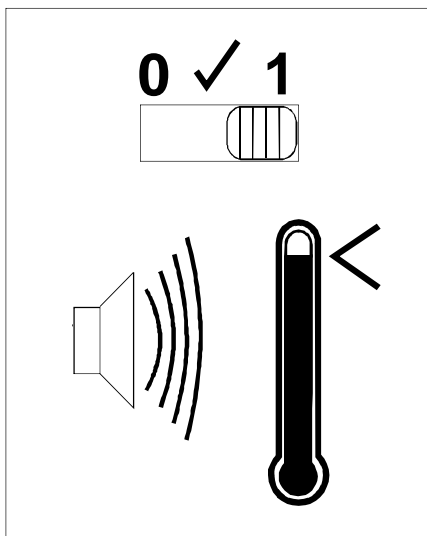
Les exemples suivants servent à démontrer les nombreuses caractéristiques disponibles pour cette gamme d'appareils. Il est normal que ce congélateur ne comporte peut-être pas toutes les options indiquées. Les renseignements fournis s'appliquent à tous les modèles de la gamme d'appareils.

## Alarme du moniteur de température



L'alarme du moniteur de température est située à côté du thermostat. Elle est commandée par un sélecteur à trois positions.

- 0 empêche l'alarme de retentir lorsque le congélateur est chaud, notamment lors du dégivrage ou du démarrage.
- ✓ déclenche l'alarme peu importe la température. Le système d'alarme doit être mis à l'essai au moins une fois par mois.
- 1 correspond au réglage normal du congélateur. Remettre le sélecteur à 1 après le dégivrage.



## Thermostat

Le thermostat du congélateur peut être réglé entre 0 et 7. Lorsque le thermostat est à zéro, le congélateur ne fonctionne pas. Il ne refroidit pas et ne maintient pas une température fraîche.

1 correspond à la température la plus élevée, et 7, à la plus basse.

Si le congélateur est penché sur le côté pendant l'expédition ou le transport, le remettre sur ses pattes et attendre 12 heures avant de le brancher pour éviter tout risque d'endommagement.

Lorsque le congélateur est branché pour la première fois :

1. Régler initialement le thermostat à 4.
2. Attendre de 3 à 6 heures.
3. Le remplir de nourriture.
4. Après 24 heures, régler le thermostat si nécessaire.

Réglage de la température du congélateur :

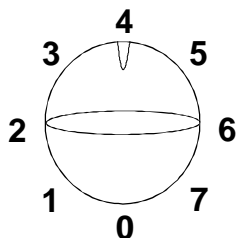
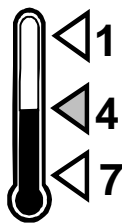
1. Placer un thermomètre domestique entre les emballages de produits congelés.
  - Le thermomètre peut être placé dans un verre d'huile végétale dans le congélateur (l'huile végétale ne gèle pas).
  - Le thermomètre doit être conçu pour aller au congélateur.
  - Le thermomètre doit mesurer la température entre -5 °F et 50 °F (-20 °C et 10 °C).
2. Attendre de 5 à 8 heures.
3. Vérifier la température.
  - La température doit se situer entre 0 °F et 2 °F (-17 °C et -16 °C).
  - Si la température ne se situe pas dans cette plage, régler le thermostat, un chiffre à la fois.
  - Vérifier de nouveau, de 5 à 8 heures plus tard.

## Commande du thermostat

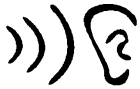
La commande du thermostat se trouve à l'extérieur du congélateur sur le côté inférieur droit. Pour régler la commande, insérer un tournevis à lame plate ou une pièce de monnaie dans l'ouverture et tourner jusqu'à ce que la température désirée soit atteinte.

Conseils pour des économies d'énergie :

- **Ne pas** régler le thermostat à une température plus froide que nécessaire pour que celle-ci demeure entre 0 °F et 2 °F (-17 °C et -18 °C).
- Faire fonctionner le congélateur à température ambiante, loin de toute source de chaleur ou de la lumière directe du soleil.
- Garder le congélateur plein.
- Garder les joints des portes propres et souples en suivant les consignes de la rubrique *Nettoyage et entretien*. Les remplacer s'ils sont usés.



# Caractéristiques



## Alarme du moniteur de température

L'alarme surveille la température et retentit lorsque la température du congélateur est de 10 °F (5,5 °C) supérieure à la normale. L'alarme retentit également si :

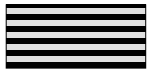
- Le thermostat est réglé plus d'un cran à la fois.
- Si une grande quantité de nourriture non congelée est placée dans le congélateur d'un seul coup.



## Dispositif de verrouillage de la porte

Ce dispositif empêche l'ouverture accidentelle de la porte, ce qui risque de faire dégivrer le congélateur et occasionner une perte de température. Pour verrouiller la porte du congélateur, procéder comme suit :

1. Insérer la clé dans la serrure d'environ 1/4 de pouce (6 mm).
2. Tourner la clé dans le sens horaire pour verrouiller la porte et dans le sens antihoraire pour la déverrouiller.



## Indicateur lumineux «MARCHÉ»

Cet indicateur lumineux, situé à l'extérieur de la porte du congélateur, s'allume lorsque le congélateur est branché à une source d'alimentation, et s'éteint lorsque la source d'alimentation est interrompue ou que l'ampoule doit être remplacée. Il clignote lorsque l'ampoule est défectueuse et doit être remplacée. Seul un technicien agréé peut remplacer l'ampoule.



## Séparateur

Le séparateur maintient les articles en place et en ordre. Il fonctionne comme un serre-livres et aide à ranger et à séparer les aliments congelés tout en les maintenant en place. Le séparateur peut être installé là où il est facile d'accès.



## Paniers

Les paniers permettent de séparer la nourriture dans le congélateur car ils peuvent contenir de menus articles difficiles à empiler. Les paniers contribuent également à garder l'air froid dans le congélateur en facilitant l'accès aux articles fréquemment utilisés. Les paniers reposent sur les rebords du congélateur et peuvent être ajustés à gauche ou à droite selon la préférence.



## Indicateur de dégivrage

L'indicateur de dégivrage est une petite moitié de globe fixée à la partie supérieure de la paroi arrière à l'intérieur du congélateur. Lorsque le givre est aussi épais que l'indicateur et l'entoure ou le recouvre de façon à ce qu'il ne puisse être vu, il est temps de dégivrer le congélateur. Pour savoir comment dégivrer le congélateur, consulter la section *Entretien normal*.

## Lumière intérieure

La lumière intérieure éclaire l'intérieur du congélateur lorsque la pièce est sombre. Utiliser une ampoule de 15 W. La lumière est conçue pour éclairer tout en produisant le moins de chaleur possible si la porte est laissée entrouverte par inadvertance. Pour remplacer la lumière intérieure, voir la section *Entretien normal*.



## MISE EN GARDE

Pour empêcher les enfants de s'enfermer par mégarde, tenir la clé hors de leur portée et loin du congélateur.

## La clé ne reste jamais dans la serrure...

Pour protéger les enfants et éviter que ceux-ci demeurent emprisonnés dans le congélateur, tous les dispositifs de verrouillage des congélateurs d'Amana sont dotés d'une fonction permettant de faire sortir la clé. Cela signifie que lorsque la clé est insérée dans le dispositif de verrouillage, elle doit être enfoncée pour faire tourner celui-ci. Une fois verrouillé ou déverrouillé, le dispositif de verrouillage fait ressortir la clé pour l'empêcher de demeurer dans la serrure. Garder la clé dans un endroit sûr, hors de la portée des enfants.



## Les caractéristiques de ce congélateur peuvent être différentes

Ces exemples servent à démontrer les nombreuses caractéristiques disponibles pour cette gamme d'appareils. Il est normal que ce congélateur ne comporte peut-être pas toutes les options indiquées. Les renseignements fournis s'appliquent à tous les modèles de la gamme d'appareils.

## Comment se procurer un autre panier ?

Un coup de téléphone suffit pour obtenir d'autres accessoires pour le congélateur. Communiquer avec un détaillant Amana ou appeler le (800) 843-0304 des États-Unis ou le 1-319-622-5511 de l'extérieur des États-Unis, ou visiter notre site Web à l'adresse [www.amana.com](http://www.amana.com).

# Nettoyage et entretien



## MISE EN GARDE

Pour éviter des blessures graves ou le décès par électrocution, débrancher le congélateur avant de procéder à son nettoyage. Une fois le nettoyage terminé, rebrancher le congélateur.



## ATTENTION

Pour éviter tous dommages matériels ou blessures, suivre les directives du fabricant concernant le nettoyage.

## Joint de porte

Les joints de porte s'encrassent avec le temps, ce qui nuit au bon fonctionnement et à la fermeture hermétique de la porte. Pour maintenir le congélateur en bon état et réduire au minimum le suintement, nettoyer les joints de porte tous les trois mois ou plus souvent.

1. Nettoyer les joints dans l'eau chaude savonneuse.
2. Sécher à fond avec un linge propre.
3. Appliquer une fine couche de vaseline sur les joints pour qu'ils restent souples.
4. Éviter d'appliquer la vaseline sur l'interrupteur à plongeur qui commande la lumière intérieure.

## Toujours collé...

Les résidus des autocollants résistent parfois aux meilleurs produits de nettoyage. Pour les enlever, procéder comme suit :

1. Mettre un peu de dentifrice sur l'autocollant.
2. Frotter avec les doigts jusqu'à ce que l'autocollant se détache.
3. Rincer à l'eau tiède et propre.
4. Essuyer avec un linge doux.

## Solutions de nettoyage

En général, l'appareil peut être nettoyé avec de l'eau chaude savonneuse. Pour maintenir le congélateur en bon état, suivre ces consignes :

### NE PAS UTILISER

- Javellisant ou ammoniac
- Produits de nettoyage abrasifs ou puissants
- Détergents ou solvants concentrés
- Tampons à récurer métalliques
- Lave-vaisselle pour les paniers ou les accessoires

### UTILISER

- Eau chaude savonneuse pour enlever la plupart des taches
- 4 c. à table de bicarbonate de soude dissout dans un litre d'eau tiède et un linge doux et propre
- Eau tiède pour rincer les surfaces
- Linge doux et propre pour essuyer toutes les surfaces

## Élimination des odeurs

Même lorsque la viande et le poisson sont bien emballés, des odeurs peuvent se dégager. Pour éliminer les odeurs, procéder comme suit :

1. Si possible, transférer toute la nourriture dans un autre congélateur ou la mettre dans une glacière hermétiquement fermée.
2. **Débrancher le congélateur.**
3. Nettoyer toutes les surfaces intérieures, notamment le plancher, les parois et le plafond.
4. Bien nettoyer dans les coins, les interstices et les rainures.
5. Nettoyer tous les accessoires et les paniers à la main.
6. Sécher à fond avec un linge doux et propre.
7. **Brancher de nouveau le congélateur.**
8. Remettre la nourriture dans le congélateur dans des récipients hermétiquement fermés pour empêcher la diffusion d'odeurs.
9. Au bout de 24 heures, s'assurer que l'odeur a bien disparu.

Si l'odeur n'a pas disparu, procéder comme suit:

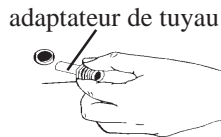
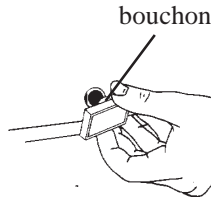
1. Transférer toute la nourriture dans un autre congélateur.
2. **Débrancher le congélateur.**
3. Remplir le congélateur de papier journal noir et blanc chiffonné en boule.
4. Placer des briquettes de charbon de bois par-ci par-là au milieu du papier journal.
5. Fermer la porte et laisser agir de 24 à 48 heures.
6. Enlever le charbon de bois et le papier journal. Laver toutes les surfaces intérieures tel qu'indiqué ci-dessus.
7. **Brancher de nouveau le congélateur.**
8. Remettre la nourriture dans le congélateur dans des récipients hermétiquement fermés pour empêcher la diffusion d'odeurs.
9. Placer un tampon en coton avec de la vanille ou une boîte de bicarbonate de soude ouverte dans le congélateur pour empêcher les odeurs de revenir.



## Dégivrage

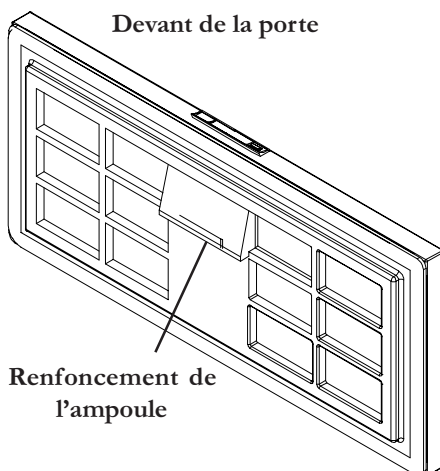
Dégivrer le congélateur lorsque la couche de givre accumulée excède 1/4 po (6 mm) d'épaisseur. La partie supérieure du congélateur renferme habituellement plus de givre que la partie inférieure. **Ne pas** gratter ou tirer le givre car cela risque d'endommager le congélateur.

1. Transférer la nourriture dans un autre congélateur ou la mettre dans une glacière hermétiquement fermée.
2. **Débrancher le congélateur.**
3. Certains modèles sont dotés d'un bouchon de vidange qui facilite le dégivrage. Tirer doucement pour retirer les bouchons de vidange.
  - Le bouchon de vidange intérieur se trouve dans le coin inférieur gauche.
  - Le bouchon de vidange extérieur se trouve dans le coin inférieur gauche avant.
4. Placer une casserole peu profonde sous l'orifice du dispositif d'écoulement afin de recueillir l'eau de dégivrage ou fixer un tuyau souple à l'orifice extérieur du dispositif d'écoulement, à l'aide d'un adaptateur de tuyau.
5. Pour accélérer le dégivrage, placer des casseroles d'eau chaude dans le congélateur.
6. Une fois dégivré, nettoyer le congélateur conformément aux consignes de la rubrique *Nettoyage et entretien*.
7. Retirer l'adaptateur de tuyau s'il a été utilisé. Remettre le bouchon de vidange en place.
  - Le bouchon de vidange doit être bien installé pour optimiser la congélation.
8. Brancher de nouveau le congélateur.



## Remplacement de l'ampoule

L'ampoule intérieure se trouve dans le renforcement arrière au centre de la porte du congélateur. L'ampoule peut être remplacée par une ampoule de 15 W. Pour réduire le risque de décharge électrique ou de blessure, le congélateur ne doit pas fonctionner sans ampoule.



1. **Débrancher le congélateur.**
2. Ouvrir la porte du congélateur et chercher le renforcement dans lequel se trouve l'ampoule.
3. Mettre des gants de protection et chercher à atteindre l'ampoule.
4. Tourner l'ampoule dans le sens antihoraire pour l'enlever.
5. Remplacer l'ampoule par une ampoule de 15 W (disponible auprès d'Amana ou dans toute quincaillerie). **Ne pas trop serrer l'ampoule** car il pourrait s'avérer difficile de la retirer ensuite.
6. Brancher de nouveau le congélateur.

### MISE EN GARDE

éviter des blessures graves ou le décès par électrocution, débrancher le congélateur avant le dégivrage. Une fois le dégivrage terminé, rebrancher le congélateur.

### ATTENTION

Pour éviter des dommages matériels, ne pas utiliser d'instruments pointus ou contondants pour gratter le givre des clayettes ou des surfaces intérieures.

### Conseils pour les départs en vacances

Pour les vacances de longue durée, Amana recommande de procéder comme suit :

1. Enlever les aliments du congélateur.
2. Débrancher l'appareil.
3. Nettoyer l'intérieur de l'appareil et les joints (voir la rubrique *Nettoyage et entretien*).
4. Bloquer les portes de façon à ce qu'elles restent entrouvertes pour empêcher l'accumulation d'odeurs.

### MISE EN GARDE

Pour éviter tout risque de brûlure ou de décharge électrique :

- débrancher l'appareil avant de remplacer l'ampoule;
- s'assurer que l'ampoule ait refroidi avant de la remplacer;
- ne pas faire fonctionner le congélateur sans ampoule.

### ATTENTION

Porter des gants pour se protéger les mains en cas de bris accidentel de l'ampoule.



# Conseils pour la congélation

## Aspects fondamentaux de la congélation

Les renseignements suivants sont fournis à titre indicatif. Pour toutes questions particulières concernant la manipulation, la cuisson ou la conservation des aliments, prière de communiquer avec la **ligne d'assistance téléphonique USDA Meat & Poultry au (800) 535-4555**.

### *Brûlure de congélateur ?*

Une brûlure de congélateur survient lorsque l'air atteint la surface de la nourriture. L'air froid et sec du congélateur fait sécher la nourriture à certains endroits et celle-ci perd de sa fraîcheur. Bien qu'une brûlure de congélateur procure un goût désagréable, la nourriture n'est pas toxique pour autant. Les portions brûlées par le congélateur peuvent être coupées avant ou après la cuisson.

### **Changements de couleur**

Les aliments congelés changent parfois de couleur. Le bœuf haché passe parfois de rouge cerise à brun foncé en raison d'un manque d'oxygène. La congélation ne modifie pas la couleur de la volaille, sauf à proximité des os qui «brunissent». Ces changements ne sont que visuels et n'indiquent pas que la nourriture est de mauvaise qualité ou toxique.

## **Divers aspects concernant la congélation**

- On peut congeler à peu près n'importe quel aliment, sauf les œufs en coquille et les conserves.
- Les aliments congelés à une température de 0 °F (-17 °C) ne seront jamais toxiques. Seule la qualité de la nourriture en souffre.
- Il n'est pas dangereux de congeler la viande et la volaille directement dans l'emballage du supermarché, mais comme ce type d'emballage ne peut empêcher les brûlures de congélateur, il est préférable de consommer la viande dans un délai de 1 à 2 mois.
- Congeler les aliments le plus rapidement possible. Cela empêche la formation de gros cristaux de glace, ce qui dégrade la qualité des aliments.
- Ne jamais empiler les emballages avant qu'ils ne soient congelés.
- Si la nourriture dégèle dans le réfrigérateur, il n'est pas dangereux de la recongeler avant de la faire cuire.
- Lors d'une panne de courant, un congélateur plein permettra de conserver la nourriture pendant 2 jours, et un congélateur à moitié-plein permettra de conserver la nourriture pendant 1 journée. Empiler la nourriture de façon serrée pour créer un nid d'air froid autour de la nourriture congelée.
- Règle générale, les aliments d'une épaisseur de 2 po (5 cm) devraient geler complètement en 2 heures environ.

## **Utilisation d'un thermomètre pour électroménager**

Ce thermomètre constitue la méthode la plus efficace de vérifier si le congélateur fonctionne normalement et s'il maintient des températures adéquates. Le congélateur doit maintenir une température variant entre 0 °F et 2 °F (-17 °C et -18 °C).

### **Pour vérifier la température du congélateur :**

1. Utiliser un thermomètre dont la lecture est facile. Le thermomètre doit être doté d'une longue tige pour obtenir une lecture plus précise.
2. Placer le thermomètre dans le congélateur entre les emballages de nourriture. Il peut également être placé dans un verre d'huile végétale dans le congélateur (l'huile végétale ne gèle pas).
3. Fermer la porte du congélateur.
4. Laisser le thermomètre dans le congélateur fermé pendant de 5 à 8 heures.
5. Vérifier la température. Celle-ci devrait se situer entre 0 °F et 2 °F (-17 °C et -18 °C).
6. Si la température ne se situe dans la plage exacte, la régler à l'aide de la commande du thermostat. Voir les consignes dans la rubrique *Commandes du congélateur*.



# Conseils pour la congélation (suite)

## Dégel de la nourriture

Il existe quelques méthodes simples pour décongeler la nourriture sans risque d'intoxication. La nourriture ne doit jamais être dégelée à la température ambiante car cela permet aux bactéries mortelles de croître pendant que la nourriture décongèle. Pour décongeler la nourriture sans risque, procéder comme suit :

- **Réfrigérateur** : ceci permet à la nourriture de décongeler dans un milieu où la croissance des bactéries est contrôlée. La nourriture dégelée au réfrigérateur peut être recongelée sans danger même si elle n'a pas été cuite. La plupart des aliments nécessitent un ou deux jours de dégel, soit environ un jour pour chaque portion de 5 lb (2,27 kg).
- **Eau froide** : placer la nourriture dans un sac étanche et le plonger dans l'eau froide (si le sac fuit, la nourriture sera contaminée par les bactéries). Vérifier souvent l'eau pour s'assurer qu'elle demeure froide. Après le dégel, réfrigérer la nourriture jusqu'à ce qu'elle soit prête à utiliser.
- **Micro-ondes** : cuire la nourriture immédiatement après l'avoir fait décongeler au four à micro-ondes. Le dégel au four à micro-ondes réchauffe la nourriture et la fait cuire partiellement, ce qui permet aux bactéries de croître. La nourriture ne peut être congelée de nouveau jusqu'à ce qu'elle soit cuite.

## Emballage

Un emballage adéquat empêche les brûlures de congélateur, maintient la qualité des aliments congelés et réduit au minimum les odeurs dans le congélateur.

Pour une conservation à court terme, il n'est pas dangereux de congeler la viande et la volaille directement dans l'emballage du supermarché. Il est préférable de consommer la viande dans un délai de 1 à 2 mois.

Pour une conservation à long terme, suivre ces consignes d'emballage :

- Recouvrir les emballages de supermarché avec du papier d'aluminium hermétique, une pellicule plastique ou du papier pour congélateur.
- Congeler tel quel les emballages non ouverts scellés sous vide.
- S'assurer que les portes sont fermées hermétiquement avant d'utiliser les bacs de congélateurs scellés hermétiquement.
- Couper les aliments en petites portions pour accélérer la congélation.
- Les sacs pour congélateur peuvent être utilisés. Retirer la plus grande quantité d'air possible avant de les placer dans le congélateur.
- Si un emballage est déchiré ou abîmé par mégarde pendant qu'il se trouve dans le congélateur, la nourriture demeure bonne à manger. Il suffit de l'emballer de nouveau.
- Il n'est pas nécessaire de rincer la viande ou la volaille avant de la congeler.

## GUIDE DE CONGÉLATION (À 0 °F (-17 °C))

**REMARQUE** : La durée de conservation au congélateur ne dégrade que la qualité de nourriture. Les aliments congelés ne sont jamais toxiques.

Aliment	Mois
Bacon et saucisse	1 à 2
Ragoûts	1 à 2
Blancs d'œuf ou substituts d'œuf	12
Sauce, viande ou volaille	2 à 3
Jambon, hot-dogs et charcuteries	1 à 2
Viande, rôtis non cuits	9
Viande, biftecks ou côtelettes	4 à 6
Viande, hachée non cuite	3 à 4
Viande, cuite	2 à 3
Volaille, entière non cuite	12
Volaille, morceaux non cuits	9
Volaille, abats non cuits	3 à 4
Volaille, cuite	3 à 4
Soupes et ragoûts	2 à 3
Gibier sauvage, non cuit	8 à 12



### Cuisson d'aliments congelés

Les aliments peuvent être cuits ou réchauffés directement du congélateur.

Le temps de cuisson doit être multiplié par une fois et demie la durée normale. Ne pas oublier de retirer le papier d'emballage de la viande ou de la volaille, les sacs d'abats et toutes cordes susceptibles de brûler pendant la cuisson. Certaines viandes, telles que la volaille farcie, doivent être encore congelées au début de leur cuisson pour éviter tout empoisonnement. Ne pas oublier de lire l'étiquette de la USDA sur la viande.

# Conseils pour la congélation (suite)

Nous avons tous vécu l'une ou l'autre des situations suivantes : la porte du congélateur demeure ouverte ou une panne de courant survient. Le congélateur est à ce moment rempli de nourriture et nous ne savons pas quoi faire. Le tableau ci-dessous est fourni par la USDA à titre de référence seulement. En cas de doute sur la toxicité de la nourriture, il est préférable de la jeter.

Aliment ou type d'aliment	Contient toujours des cristaux de glace et semble aussi froid que s'il était réfrigéré	Dégelé. Exposé à une température supérieure à 40 °F (4 °C) pendant plus de 2 heures.
<b>VIANDE, VOLAILLE et FRUITS DE MER</b>		
Bœuf, veau, agneau, porc et viandes hachées	Recongeler	Jeter
Volaille et volaille hachée	Recongeler	Jeter
Viandes diverses (foie, rein, cœur, tripes)	Recongeler	Jeter
Poisson, crustacés, fruits de mer avec panure	Recongeler, cependant, une partie de la texture et de la saveur sera perdue	Jeter
<b>PRODUITS LAITIERS</b>		
Lait	Recongeler, peut perdre une partie de sa texture	Jeter
Oeufs (vidés de leur coquille) et produits dérivés	Recongeler	Jeter
Crème glacée, yogourt glacé	Jeter	Jeter
Fromage (mou et demi-mou)	Recongeler, peut perdre une partie de sa texture	Jeter
Fromages durs	Recongeler	Recongeler
Fromages râpés	Recongeler	Jeter
Ragoûts contenant du lait, de la crème, des œufs, des fromages mous	Recongeler	Jeter
Gâteau au fromage	Recongeler	Jeter
<b>FRUITS ET LÉGUMES</b>		
Jus de fruits	Recongeler	Recongeler. Jeter si une odeur de moisissure et de levure ou un dépôt visqueux se développe.
Jus de légumes	Recongeler	Jeter en cas d'exposition à une température supérieure à 40 °F (4 °C) pendant 6 heures.
Maison, emballés ou blanchis dans le commerce	Recongeler. Changement dans la texture et le goût.	Jeter en cas d'exposition à une température supérieure à 40 °F (4 °C) pendant 6 heures ou si une odeur de moisissure et de levure ou un dépôt visqueux se développe.
<b>PAINS ET PÂTISSERIES</b>		
Pains, rouleaux, muffins, gâteaux (sans crème anglaise)	Recongeler	Recongeler
Gâteaux, tartes, pâtisseries avec garniture au fromage ou à la crème anglaise	Recongeler	Jeter
Pâtes à tarte, pâte à pain maison et vendue dans le commerce	Recongeler, perte de qualité possible.	Recongeler. Perte de qualité considérable.
<b>AUTRES</b>		
Ragoûts à base de pâtes ou de riz	Recongeler	Jeter
Farine, gruau, noix	Recongeler	Jeter
Aliments pour déjeuner—gaufres, crêpes, bagels	Recongeler	Recongeler
Repas congelé, entrée, spécialités (pizza, saucisse et petit pain, tourtière et plats cuisinés)	Recongeler	Jeter

# Avant d'appeler le technicien

Pour gagner du temps et épargner de l'argent, vérifiez les points ci-dessous avant d'appeler le technicien. Cette liste comprend divers problèmes qui ne sont pas causés par une défectuosité des pièces. Dans l'éventualité où le problème ne serait pas décrit ci-dessous, communiquer avec le service à la clientèle d'Amana au **800-843-0304**.

## Problème

## Cause probable

## Solution

### Fonctionnement



L'appareil ne fonctionne pas.	Panne de courant	Vérifier que le congélateur est branché. Vérifier si le disjoncteur est déclenché. Remplacer le fusible mais ne pas modifier son calibre.
Les denrées ne semblent pas assez froides.	Thermostat	Vérifier que le thermostat est réglé entre 1 et 7. Régler le thermostat à 4 ou plus.
	Joint de porte inadéquat	Nettoyer le joint tel qu'expliqué dans la rubrique <i>Nettoyage et entretien</i> . Appliquer une mince couche de vaseline sur le joint.
	Joint de porte abîmé	Remplacer le joint
	Denrées récemment ajoutées.	Attendre de 5 à 8 heures pour que la température se stabilise après l'ajout de grandes quantités de nourriture non congelée.
Le congélateur se met en marche trop fréquemment.	Normal	Cela peut être nécessaire pour maintenir la température à un niveau constant.
	Porte ouverte	Fermer la porte.
	La température est trop froide.	Régler le thermostat pour maintenir la température du congélateur entre 0 °F et 2 °F (-17 °C et -18 °C).
	Joint de porte inadéquat	Nettoyer le joint tel qu'expliqué dans la rubrique <i>Nettoyage et entretien</i> . Appliquer une mince couche de vaseline sur le joint
	Espace de dégagement inadéquat	S'assurer que l'espace de dégagement du congélateur est adéquat des deux côtés et que les conduits ne sont pas obstrués tel que spécifié dans les <i>Consignes de mise en service</i> .
La lumière ne s'allume pas.	Ampoule brûlée	Remplacer l'ampoule tel que décrit dans la rubrique <i>Entretien normal</i> .
	Le commutateur ne fonctionne pas.	Nettoyer le noyau plongeur du commutateur pour assurer le fonctionnement normal
	Commutateur en mauvais état	Demander à un technicien agréé de remplacer le commutateur
	Commutateur à noyau plongeur coincé	Nettoyer la surface autour du commutateur avec de l'eau et un savon doux. Sécher à fond. Ne pas lubrifier avec de la vaseline.

### BRUIT



Déclics	Normal	Un déclic se fait entendre lorsque le thermostat met en marche ou arrête le compresseur
Gargouillements et détonations (semblables à ceux de l'eau qui bout)	Normal	Circulation du réfrigérant à travers le serpentin
Ronronnement ou bruits de pulsations	Normal	Le compresseur fonctionne.

### APPARENCE



Des gouttelettes d'eau se forment à l'extérieur du congélateur	Joint de porte inadéquat	Nettoyer le joint tel qu'expliqué dans la rubrique <i>Nettoyage et entretien</i> . Appliquer une mince couche de vaseline sur le joint. Ne pas appliquer de vaseline sur le commutateur à noyau plongeur.
Flaque d'eau sur le plancher sous le congélateur	Bouchon de vidange en mauvais état	Vérifier que le bouchon de vidange est bien en place et scellé. Remplacer le bouchon de vidange s'il n'est pas étanche.

# Garantie d'Amana

## Garantie complète d'UN an

Amana Appliances s'engage à réparer ou à remplacer, y compris les frais de main-d'œuvre et de transport, toute pièce (f.a.b. Amana, Iowa) qui s'avère défectueuse en raison du matériel ou de la main-d'œuvre.

## Garantie complète de DIX ans sur les composants du système frigorifique scellé

Amana Appliances s'engage à réparer ou à remplacer, y compris les frais de main-d'œuvre et de transport, tout composant du système frigorifique scellé (compresseur, condenseur, évaporateur, condensateur, tubes de raccordement) qui s'avère défectueux en raison du matériel ou de la main-d'œuvre.

### Perte de nourriture

En cas de perte de nourriture à la suite d'une défectuosité couverte par cette garantie, Amana remboursera la somme indiquée dans le tableau ci-contre. Le remboursement total ne peut excéder le montant spécifié à droite :

Dimensions du modèle (en pieds cubes) (mètres cubes)	Remboursement maximum
5 à 9,9 pi <sup>3</sup> (0,14 à 0,28 m <sup>3</sup> )	200 \$
10 à 15 pi <sup>3</sup> (0,28 à 0,42 m <sup>3</sup> )	300 \$
16 à 22 pi <sup>3</sup> (0,45 à 0,62 m <sup>3</sup> )	400 \$

## Ce qui n'est pas couvert par ces garanties

- Remplacement de fusibles, enclenchement des disjoncteurs ou réparation du câblage ou de la plomberie domestique.
- Entretien et nettoyage normaux de l'appareil, notamment les ampoules.
- Les appareils dont le numéro de série original a été enlevé, modifié ou qui est difficile à identifier.
- Les appareils achetés à des fins commerciales, industrielles ou locatives.
- Les appareils situés à l'extérieur des États-Unis ou du Canada.
- Les frais de réparation supplémentaires, si le technicien doit effectuer une réparation supplémentaire ou à l'extérieur des heures d'ouverture ou de la région couverte.
- Réglages après la première année.
- Réparations causées par :
  - Mise en service, système d'évacuation ou entretien inadéquats.
  - Toute modification ou tout réglage non autorisé Amana.
  - Accident, usage impropre, abus, incendie, inondation ou catastrophes naturelles.
  - Mauvais raccordement à une prise de courant, une tension ou une alimentation en gaz inadéquate.
  - Usage impropre de casseroles, récipients ou accessoires ayant endommagé l'appareil.

## Pour obtenir des prestations de garantie

Toute réparation doit être effectuée par un technicien agréé par Amana. Pour prendre rendez-vous, communiquer avec le détaillant Amana où l'appareil a été acheté ou avec l'usine d'Amana Appliances.

### Usine d'Amana Appliances

1-800-628-5782 (des États-Unis)

### Pour de plus amples renseignements, communiquer avec le service à la clientèle d'Amana Appliances

Amana Appliances  
2800 - 220<sup>th</sup> Trail  
Amana, Iowa 52204  
États-Unis

1-800-843-0304 (des États-Unis)

(319) 622-5511 de partout dans le monde

## Lors de toute communication avec Amana Appliances, prière d'indiquer les renseignements suivants :

- Nom, adresse et numéro de téléphone.
- Numéro du modèle et numéro de série de l'appareil (inscrits sur la paroi intérieure droite du congélateur).
- Nom et adresse du détaillant et date d'achat.
- Une description claire du problème.
- Preuve d'achat (reçu de caisse).

## EN AUCUN CAS AMANA NE PEUT ÊTRE TENUE RESPONSABLE DES DOMMAGES INDIRECTS OU ACCESSOIRES

La présente garantie donne des droits spécifiques à l'acheteur, et l'acheteur peut jouir d'autres droits qui varient d'une province à l'autre. Par exemple, dans certaines provinces, il est interdit d'exclure ou de limiter les dommages indirects ou accessoires. Il se peut donc que les restrictions énoncées ci-dessus ne s'appliquent pas.

Site Web d'Amana Appliances - <http://www.amana.com>